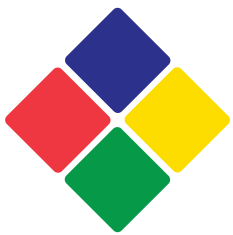


LED SOLUTIONS



LUCOLED

Experience Lighting

LUCOLED

BACK LIGHTING

ECONOMY

EC21	04
EC31	06

PREMIUM

PS20	08
PL30	10
PS31	12
PR20	14
PR40	16

PLUS

BL11	18
BL15	20
BL16	22
BL20	24
BL31	26
BL35 RGBW	28
BL70	30
BLI	32
DS80	34

EDGE LIGHTING

EL10	36
EL31	38
EL36	40
ELI30-50-60	42

CONTOUR LIGHTING

LUCOLINE 30	44
LUCOFLEX	46
LUCOFLEX D	48
LUCOFLEX RGB TOP BEND	50
LUCOFLEX RGB SIDE BEND	52
LUCOFLEX SLIM	54

POWER SUPPLIES / ACCESSOIRES

12V POWER SUPPLIES	56
24V POWER SUPPLIES	58



LUCOLED

Experience Lighting

LUCOLED: NOT JUST ANOTHER LED COMPANY

PAY FOR PERFORMANCE

At LucoLED we operate at the simple principle that the customer should only pay for product performance and not for the overhead and excessive margins most major brands add to their cost. It is LucoLED's mission to provide fit for purpose, reliable and efficient lighting solutions for visual communication and brand identity.

EXPERIENCE

LucoLED is based on over 20 years of experience in the signage industry and has developed an in depth knowledge of the basic needs of the market. Backed by industry leading design and production facilities LucoLED provides high quality products with exceptional performance and warranties. LucoLED's ODM production uses state of the art equipment and has extensive R&D facilities. Besides a range of standard products LucoLED can also offer tailor made solutions with minimum lead time.

COMPLETE SOLUTION

LucoLED offers a complete system solution for letters, light boxes, flexible and linear accents. Including their own full range power supplies. LucoLED offers a system warranty of up to 7 years and extended warranties of up to 2 years as we believe in our products. Although LucoLED is a new name in the market, the management behind the company has a proven track record of quality and reliability.



LUCOLED EC21



- *5 years warranty*
- *Lucolense wide angle technology*
- *High efficacy*
- *Constant Current Technology*
- *Narrow white binning*

Lucoled Eco EC21 modules offer a high quality and efficient backlit solution for lightboxes and channel letters between 60 and 180mm deep.

Using the latest Top-Tier LED technology and high quality optics Lucoled Eco series offers industry leading efficacy and coverage. This not only reduces the amount of modules needed for an application, but also the overall power consumption.

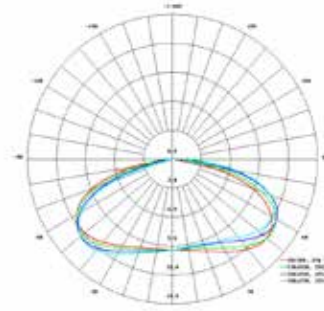
Lucoled Eco series offer a value proposition for everyday projects with a good price-performance ratio.

SPECIFICATIONS

- Dimensions 43x14,5x7,8mm
- Warranty 5 years
- Beam angle: 160°
- Can be cut between every unit
- UL, CE and RoHS compliant
- Narrow white binning
- Constant Current Technology
- Operating temperature -25~+60C

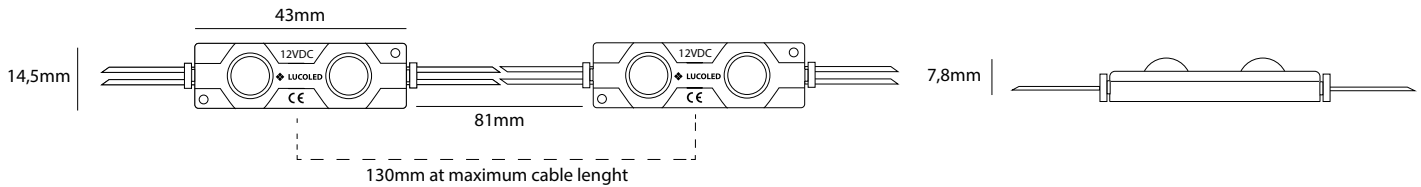


LUMINOUS INTENSITY DISTRIBUTION

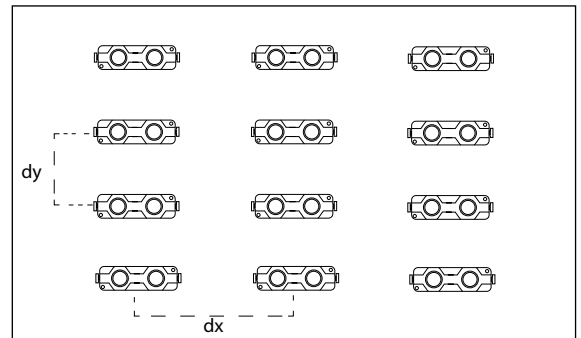


Item no	LED colour	CT (K)	CRI	Power (W/mod)	Flux (lm/mod)	Efficacy (lm/W)	Voltage (DC)	Modules per chain	Modules per carton
EC21-W65	white	6500	>75	0.72	70	97	12	50	1000

DIMENSIONS



Light box depth (mm)	Space between modules (mm)	Installing density (pcs/m ²)	Surface luminance range (cd/m ²)
dz=60	dx=70, dy=60	238	2900-3350
dz=120	dx=130, dy=120	64	850-950
dz=180	dx=130, dy=180	43	450-550



Results may vary depending on face material properties. The data above was obtained using 3mm thick opaque acrylic with a 54% light transmittance. Lucoled advises to paint the inside of the box/ letters in a matt white colour for achieving an optimal result. Always test before production.

POWER SUPPLY CAPACITY 12V SERIES

Item	PP1230	PP1260	PP12100	PP12150	PP12200
Power Output	30W	60W	100W	150W	200W
EC21 modules / power supply	37	75	125	187	250
Number of chains (maximum 50 modules per chain)	1	2	3	4	5

PACKAGING

Item	Qty (pcs / bag)	Qty (bags / carton)	Total Qty (pcs / carton)	Total weight (kg)	Carton size (LxWxH) in mm
EC21	100	10	1000	8,0	528 x 376 x 272



adidas

LUCOLED EC31



- *5 years warranty*
- *Lucolense wide angle technology*
- *High efficacy*
- *Constant Current Technology*
- *Narrow white binning*

Lucoled Eco EC31 modules offer a high quality and efficient backlit solution for lightboxes and channel letters between 60 and 180mm deep.

Using the latest Top-Tier LED technology and high quality optics Lucoled Eco series offers industry leading efficacy and coverage. This not only reduces the amount of modules needed for an application, but also the overall power consumption.

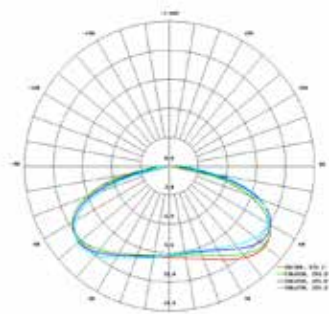
Lucoled Eco series offer a value proposition for everyday projects with a good price-performance ratio.

SPECIFICATIONS

- Dimensions 65x14,5x7,8mm
- Warranty 5 years
- Beam angle: 160°
- Can be cut between every unit
- UL, CE and RoHS compliant
- Narrow white binning
- Constant Current Technology
- Operating temperature -25~+60C

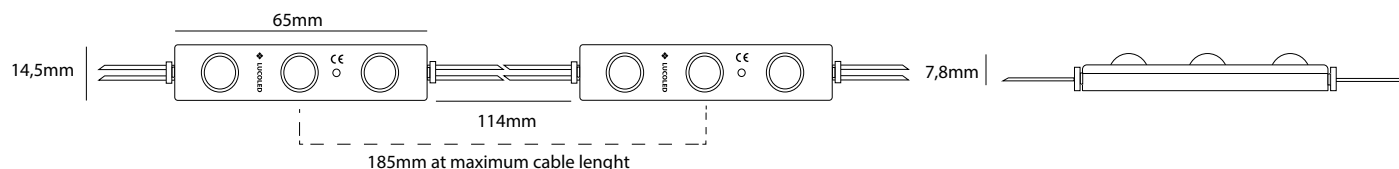


LUMINOUS INTENSITY DISTRIBUTION



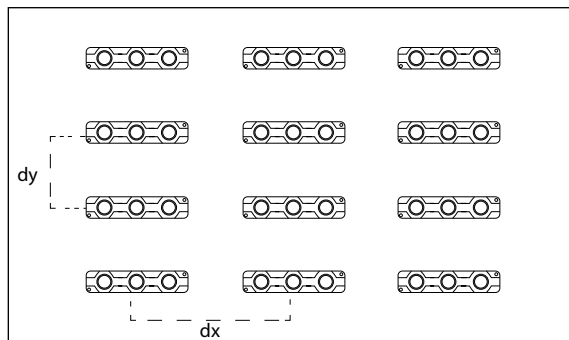
Item no	LED colour	CT (K)	CRI	Power (W/mod)	Flux (lm/mod)	Efficacy (lm/W)	Voltage (DC)	Modules per chain	Modules per carton
EC31-W65	white	6500	>75	1.00	100	100	12	50	800
EC31-B	blue	n.a.	n.a.	0.72	9	12.5	12	50	800
EC31-R	red	n.a.	n.a.	0.72	21	29.2	12	50	800

DIMENSIONS



Light box depth (mm)	Space between modules (mm)	Installing density (pcs/m ²)	Surface luminance range (cd/m ²)
dz=60	dx=80, dy=60	208	3850-4400
dz=120	dx=140, dy=120	60	1200-1350
dz=180	dx=180, dy=180	31	600-750

Results may vary depending on face material properties. The data above was obtained using 3mm thick opaque acrylic with a 54% light transmittance. Lucoled advises to paint the inside of the box/ letters in a matt white colour for achieving an optimal result. Always test before production.



POWER SUPPLY CAPACITY 12V SERIES

Item	PP1230	PP1260	PP12100	PP12150	PP12200
Power Output	30W	60W	100W	150W	200W
EC31-W65 modules / power supply	27	54	90	135	180
Number of chains (maximum 50 modules per chain)	1	2	2	3	4

Item	PP1230	PP1260	PP12100	PP12150	PP12200
Power Output	30W	60W	100W	150W	200W
EC31-B/R modules / power supply	38	76	125	188	250
Number of chains (maximum 50 modules per chain)	1	2	3	4	5

PACKAGING

Item	Qty (pcs / bag)	Qty (bags / carton)	Total Qty (pcs / carton)	Total weight (kg)	Carton size (LxWxH) in mm
EC31	100	8	800	10,0	528 x 376 x 272

next >



LUCOLED PS20



- *7 years warranty*
First 2 years extended warranty
- *Lucolense wide angle technology*
- *High efficacy*
- *Constant Current Technology*
- *Narrow white binning*

Lucoled Premium PS20 modules offer a high quality and efficient backlit solution for lightboxes and channel letters between 40 and 100mm deep.

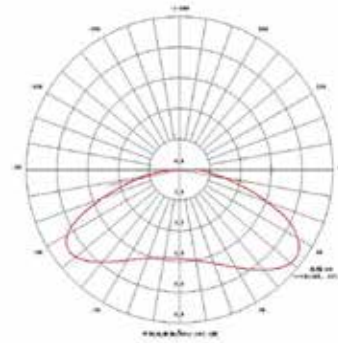
Using the latest Top-Tier LED technology and high quality optics Lucoled Premium series offers industry leading efficacy and coverage. This not only reduces the amount of modules needed for an application, but also the overall power consumption, reducing the total cost of ownership of a project.

Lucoled Premium series offers a 2 years extended warranty, making it the optimum choice for your high valued projects and critical installations. Your warranty exposure is reduced to a minimum.

SPECIFICATIONS

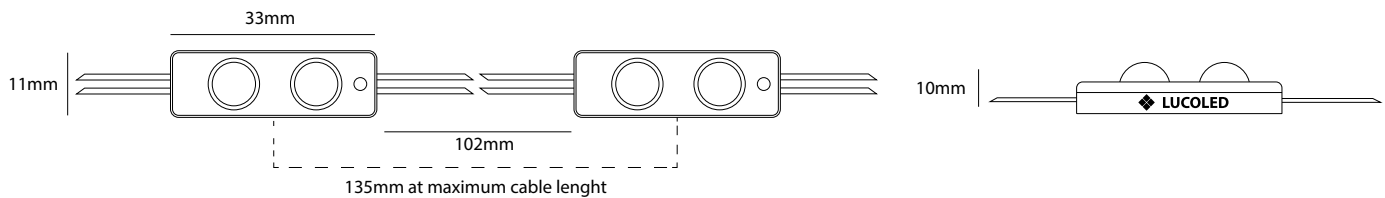
- Dimensions 33x11x10mm
- Warranty 7 years (first 2 years extended)
- Beam angle: 160°
- Can be cut between every unit
- EL, CE and RoHS compliant
- Narrow white binning
- Constant Current Technology
- Operating temperature -25~+60C

LUMINOUS INTENSITY DISTRIBUTION

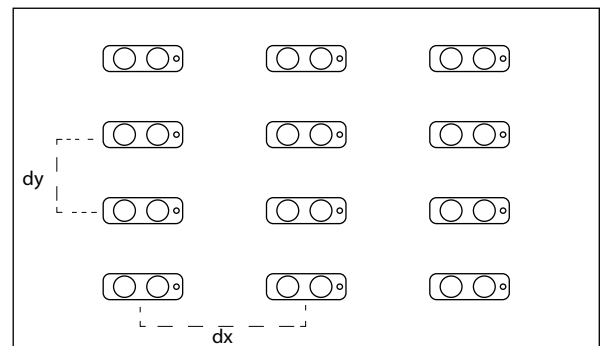


Item no	LED colour	CT (K)	CRI	Power (W/mod)	Flux (lm/mod)	Efficacy (lm/W)	Voltage (DC)	Modules per chain	Modules per carton
PS20-W65	white	6500	>80	0.34	41	120	12	50	1600

DIMENSIONS



Light box depth (mm)	Space between modules (mm)	Installing density (pcs/m ²)	Surface luminance range (cd/m ²)
dz=40	dx=70, dy=50	286	2890-3155
dz=60	dx=90, dy=70	159	1125-1445
dz=80	dx=110, dy=90	101	660-920
dz=100	dx=130, dy=120	64	410-565



Results may vary depending on face material properties. The data above was obtained using 3mm thick opaque acrylic with a 54% light transmittance. Lucoled advises to paint the inside of the box/ letters in a matt white colour for achieving an optimal result. Always test before production.

POWER SUPPLY CAPACITY 12V SERIES

Item	PP1230	PP1260	PP12100	PP12150	PP12200
Power Output	30W	60W	100W	150W	200W
PS20 modules / power supply	79	158	264	397	529
Number of chains (maximum 50 modules per chain)	2	4	6	8	11

PACKAGING

Item	Qty (pcs/bag)	Qty (bag / carton)	Total Qty (pcs / carton)	Total weight (kg)	Carton size (LxWxH) in mm
PS20	100	16	1600	11,0	528 x 376 x 272



Cartier

LUCOLED PL30



- *7 years warranty*
First 2 years extended warranty
- *Lucolense wide angle technology*
- *High efficacy*
- *Constant Current Technology*
- *Narrow white binning*

Lucoled Premium PL30 modules offer a high quality and efficient backlit solution for lightboxes and channel letters between 80 and 200mm deep.

Using the latest Top-Tier LED technology and high quality optics Lucoled Premium series offers industry leading efficacy and coverage. This not only reduces the amount of modules needed for an application, but also the overall power consumption, reducing the total cost of ownership of a project.

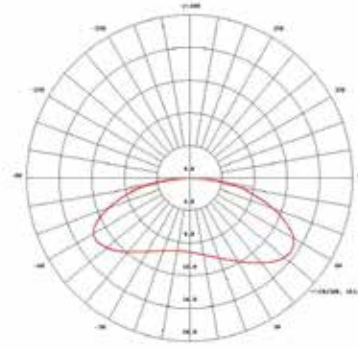
Lucoled Premium series offers a 2 years extended warranty, making it the optimum choice for your high valued projects and critical installations. Your warranty exposure is reduced to a minimum.

SPECIFICATIONS

- Dimensions 61x11x10mm
- Warranty 7 years (first 2 years extended)
- Beam angle: 160°
- Can be cut between every unit
- EL, CE and RoHS compliant
- Narrow white binning
- Constant Current Technology
- Operating temperature -25~+60C

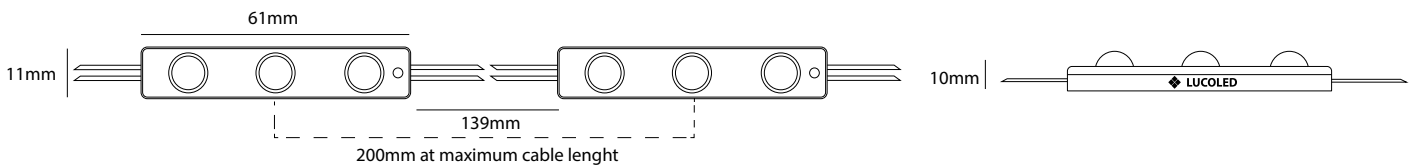


LUMINOUS INTENSITY DISTRIBUTION

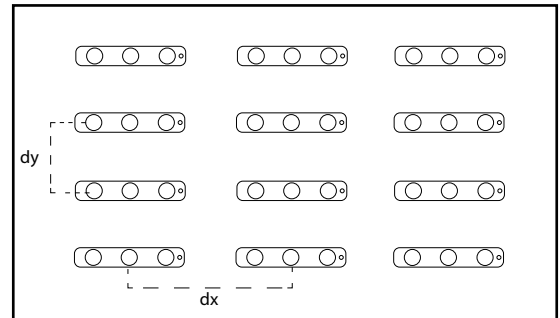


Item no	LED colour	CT (K)	CRI	Power (W/mod)	Flux (lm/mod)	Efficacy (lm/W)	Voltage (DC)	Modules per chain	Modules per carton
PL30-W65	white	6500	>80	0.72	85	118	12	50	1200

DIMENSIONS



Light box depth (mm)	Space between modules (mm)	Installing density (pcs/m ²)	Surface luminance range (cd/m ²)
dz=80	dx=140, dy=120	60	1140-1425
dz=100	dx=180, dy=160	35	745-915
dz=120	dx=200, dy=200	25	510-650
dz=150	dx=200, dy=200	25	465-575
dz=180	dx=200, dy=200	25	450-515



Results may vary depending on face material properties. The data above was obtained using 3mm thick opaque acrylic with a 54% light transmittance. Lucoled advises to paint the inside of the box/letters in a matt white colour for achieving an optimal result. Always test before production.

POWER SUPPLY CAPACITY 12V SERIES

Item	PP1230	PP1260	PP12100	PP12150	PP12200
Power Output	30W	60W	100W	150W	200W
PL30 modules / power supply	37	75	125	187	250
Number of chains (maximum 50 modules per chain)	1	2	3	4	5

PACKAGING

Item	Qty (pcs/bag)	Qty (bag / carton)	Total Qty (pcs / carton)	Total weight (kg)	Carton size (LxWxH) in mm
PL30	100	12	1200	13,0	528 x 376 x 272



LUCOLED PS31



- *7 years warranty*
- *First 2 years extended warranty*
- *Lucolense wide angle technology*
- *High efficacy*
- *Constant Current Technology*
- *Narrow white binning*

Lucoled Premium PS31 modules offer a high quality and efficient backlit solution for lightboxes and channel letters between 60 and 120mm deep.

Using the latest Top-Tier LED technology and high quality optics Lucoled Premium series offers industry leading efficacy and coverage. This not only reduces the amount of modules needed for an application, but also the overall power consumption, reducing the total cost of ownership of a project.

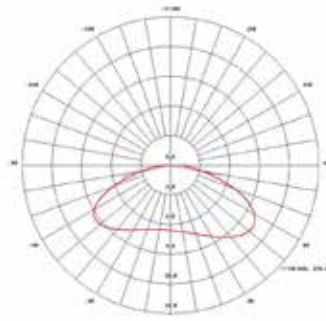
Lucoled Premium series offers a 2 years extended warranty, making it the optimum choice for your high valued projects and critical installations. Your warranty exposure is reduced to a minimum.

SPECIFICATIONS

- Dimensions 45x11x10mm
- Warranty 7 years (first 2 years extended)
- Beam angle: 160°
- Can be cut between every unit
- UL, CE and RoHS compliant
- Narrow white binning
- Constant Current Technology
- Operating temperature -25~+60C

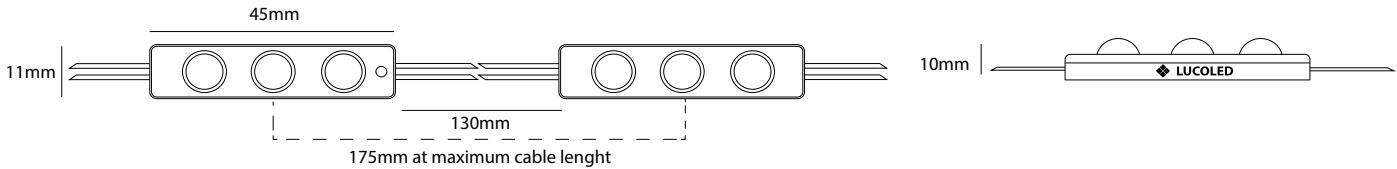


LUMINOUS INTENSITY DISTRIBUTION

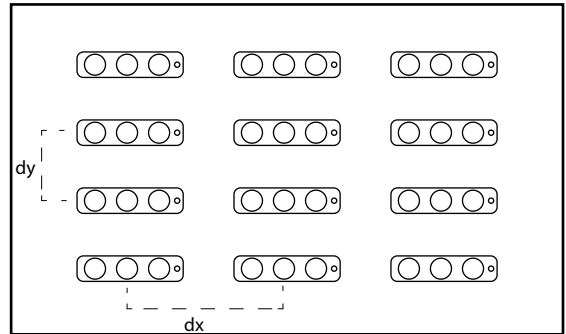


Item no	LED colour	CT (K)	CRI	Power (W/mod)	Flux (lm/mod)	Efficacy (lm/W)	Voltage (DC)	Modules per chain	Modules per carton
PS31-W65	white	6500	>80	0.28	31	111	12	50	1200

DIMENSIONS



Light box depth (mm)	Space between modules (mm)	Installing density (pcs/m ²)
dz=50	dx=140, dy=95	70
dz=75	dx=150, dy=150	36
dz=100	dx=150, dy=200	24
dz=125	dx=150, dy=150	36



Results may vary depending on face material properties. The data above was obtained using 3mm thick opaque acrylic with a 54% light transmittance. Lucoled advises to paint the inside of the box/letters in a matt white colour for achieving an optimal result. Always test before production.

POWER SUPPLY CAPACITY 12V SERIES

Item	PP1230	PP1260	PP12100	PP12150	PP12200
Power Output	30W	60W	100W	150W	200W
PS31 modules / power supply	96	193	321	482	642
Number of chains (maximum 50 modules per chain)	2	4	6	9	12

PACKAGING

Item	Qty (pcs/bag)	Qty (bag / carton)	Total Qty (pcs / carton)	Total weight (kgs)	Carton size (LxWxH) in mm
PS31	100	12	1200	12,0	528 x 376 x 272



LUCOLED PR20



- *7 years warranty*
- *First 2 years extended warranty*
- *Prismatic Flat Beam technology*
- *Industry leading efficacy*
- *Constant Current Technology*
- *Narrow white binning*

Lucoled Premium PR20 modules offer a high quality and efficient backlit solution for lightboxes and channel letters between 40 and 200mm deep.

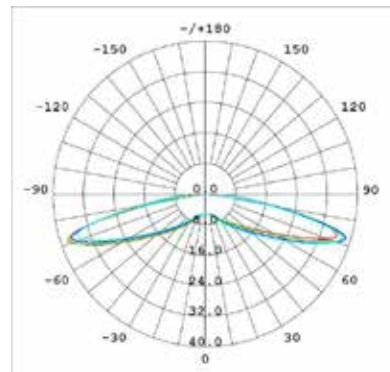
Using the latest Top-Tier LED technology and prismatic flat beam optics Lucoled Premium series offers industry leading efficacy and coverage. This not only reduces the amount of modules needed for an application, but also the overall power consumption, reducing the total cost of ownership of a project.

Lucoled Premium series offers a 2 years extended warranty, making it the optimum choice for your high valued projects and critical installations. Your warranty exposure is reduced to a minimum.

SPECIFICATIONS

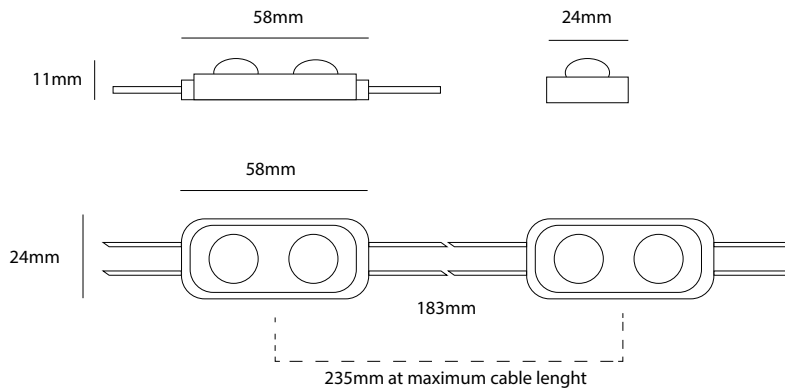
- Dimensions 58x24x11mm
- Warranty 7 years (first 2 years extended)
- Beam angle: 160°
- Can be cut between every unit
- UL, CE and RoHS compliant
- Narrow white binning
- Constant Current Technology
- Operating temperature -40~+60C

LUMINOUS INTENSITY DISTRIBUTION



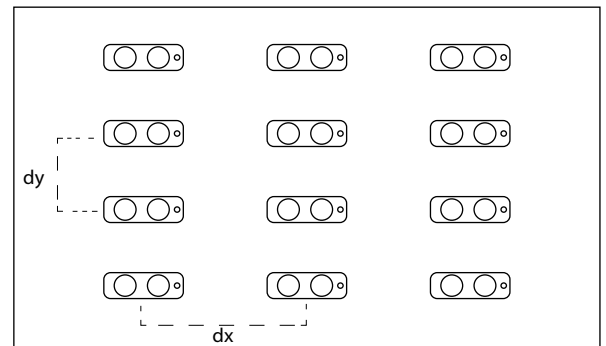
Item no	LED colour	CT (K)	CRI	Power (W/mod)	Flux (lm/mod)	Efficacy (lm/W)	Voltage (DC)	Modules per chain	Modules per carton
PR20-W40	white	4000	>70	0.8	120	150	12	40	480
PR20-W50	white	5000	>70	0.8	120	150	12	40	480
PR20-W70	white	7000	>70	0.8	120	150	12	40	480

DIMENSIONS



Light box depth (mm)	Space between modules (mm)	Installing density (pcs/m ²)	Surface luminance range (cd/m ²)
dz=60	dx=150, dy=150	43	1315-1840
dz=80	dx=178, dy=180	30	745-915
dz=100	dx=178, dy=240	22	525-840

Results may vary depending on face material properties. The data above was obtained using 3mm thick opaque acrylic with a 54% light transmittance. Lucoled advises to paint the inside of the box/letters in a matt white colour for achieving an optimal result. Always test before production.



POWER SUPPLY CAPACITY 12V SERIES

Item	PP1230	PP1260	PP12100	PP12150	PP12200
Power Output	30W	60W	100W	150W	200W
PR20 modules / power supply	34	68	113	169	225
Number of chains (maximum 40 modules per chain)	1	2	3	5	6

PACKAGING

Item	Qty (pcs/bag)	Qty (bag / carton)	Total Qty (pcs / carton)	Total weight (kg)	Carton size (LxWxH) in mm
PR20	40	12	480	10,2	528 x 376 x 272



LUCOLED PR40



- *7 years warranty*
First 2 years extended warranty
- *Prismatic Flat Beam technology*
- *Industry leading efficacy*
- *Constant Current Technology*
- *Narrow white binning*

Lucoled Premium PR40 modules offer a high quality and efficient backlit solution for lightboxes and channel letters between 60 and 200mm deep.

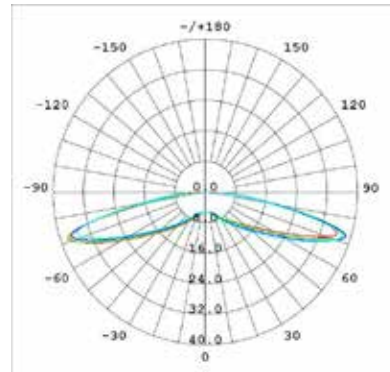
Using the latest Top-Tier LED technology and prismatic flat beam optics Lucoled Premium series offers industry leading efficacy and coverage. This not only reduces the amount of modules needed for an application, but also the overall power consumption, reducing the total cost of ownership of a project.

Lucoled Premium series offers a 2 years extended warranty, making it the optimum choice for your high valued projects and critical installations. Your warranty exposure is reduced to a minimum.

SPECIFICATIONS

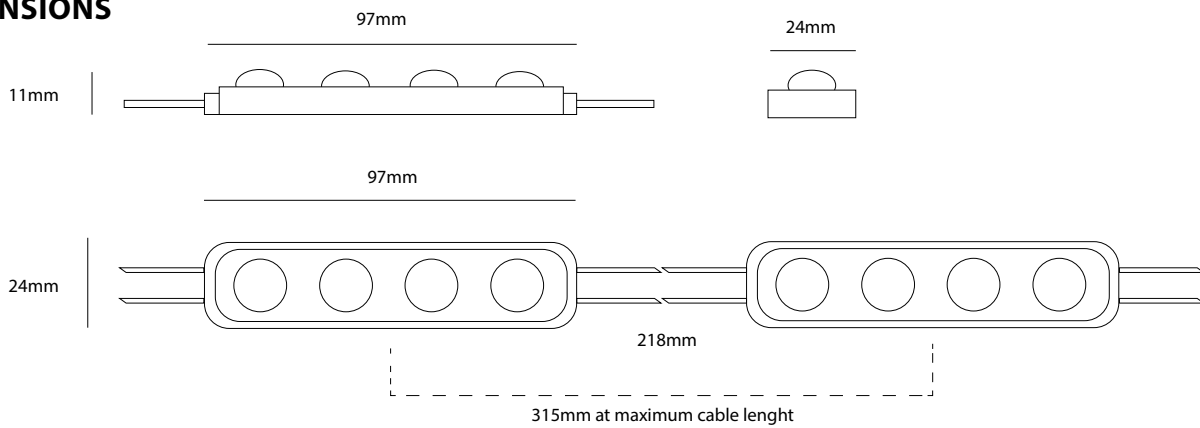
- Dimensions 97x24x11mm
- Warranty 7 years (first 2 years extended)
- Beam angle: 160°
- Can be cut between every unit
- UL, CE and RoHS compliant
- Narrow white binning
- Constant Current Technology
- Operating temperature -40~+60C

LUMINOUS INTENSITY DISTRIBUTION

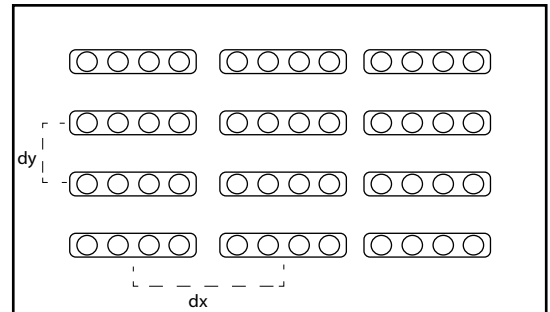


Item no	LED colour	CT (K)	CRI	Power (W/mod)	Flux (lm/mod)	Efficacy (lm/W)	Voltage (DC)	Modules per chain	Modules per carton
PR40-W70	white	7000	>70	1.2	195	163	12	20	320

DIMENSIONS



Light box depth (mm)	Space between modules (mm)	Installing density (pcs/m ²)	Surface luminance range (cd/m ²)
dz=60	dx=150, dy=150	43	2105-1840
dz=80	dx=180, dy=180	30	1630-1315
dz=100	dx=220, dy=250	18	1155-840
dz=120	dx=220, dy=300	14	735-470



Results may vary depending on face material properties. The data above was obtained using 3mm thick opaque acrylic with a 54% light transmittance. Lucoled advises to paint the inside of the box/letters in a matt white colour for achieving an optimal result. Always test before production.

POWER SUPPLY CAPACITY 12V SERIES

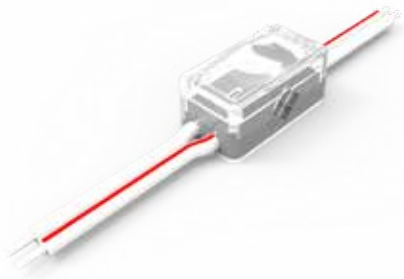
Item	PP1230	PP1260	PP12100	PP12150	PP12200
Power Output	30W	60W	100W	150W	200W
PR40 modules / power supply	23	45	75	113	150
Number of chains (maximum 20 modules per chain)	1	2	3	5	7

PACKAGING

Item	Qty (pcs/bag)	Qty (bag / carton)	Total Qty (pcs / carton)	Total weight (kg)	Carton size (LxWxH) in mm
PR40	40	8	320	10,9	528 x 376 x 272

PN-AMR

LUCOLED BL11



- *5 years warranty*
First 2 years extended warranty
- *High efficacy: 158lm/W*
- *Constant Current Technology*
- *Narrow white binning*

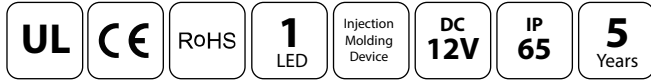
Lucoled Plus BL11 modules offer a high quality and efficient backlit solution for channel letters made from routed full acrylic.

Lucoled Plus BL11 modules are IP65 and can be used without the need for fully potting the acrylic letters. This makes the production process much cleaner and faster. Potting material can also damage LED phosphor and can have a colour shift and reduced life as a result. The BL11 is a fully enclosed module and does not have this disadvantage.

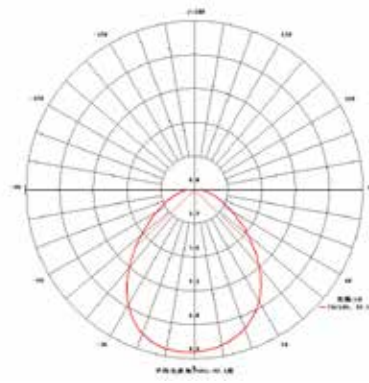
Lucoled Plus BL11 can also be used in very narrow and small traditional channel letters.

SPECIFICATIONS

- Dimensions 13x7x7mm
- Warranty 5 years (first 2 years extended)
- Beam angle: 120°
- Can be cut between every unit
- UL, CE and RoHS compliant
- Narrow white binning
- Constant Current Technology
- Operating temperature -25~+60C

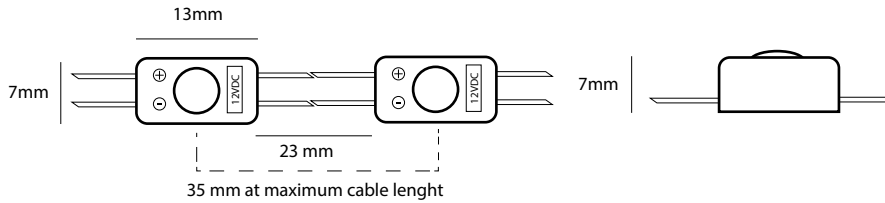


LUMINOUS INTENSITY DISTRIBUTION



Item no	LED colour	CT (K)	CRI	Power (W/mod)	Flux (lm/mod)	Efficacy (lm/W)	Voltage (DC)	Modules per chain	Modules per carton
BL11-W65	white	6500	>70	0.24	38	158	12	50	8400

DIMENSIONS



POWER SUPPLY CAPACITY 12V SERIES

Item	PP1230	PP1260	PP12100	PP12150	PP12200
Power Output	30W	60W	100W	150W	200W
BL11 modules / power supply	112	225	375	562	750
Number of chains (maximum 50 modules per chain)	3	4	8	12	15

PACKAGING

Item	Qty (pcs/bag)	Qty (bag / carton)	Total Qty (pcs / carton)	Total weight (kg)	Carton size (LxWxH) in mm
BL11	300	28	8400	11.2	264 x 376 x 272

athlete's co.

LUCOLED BL15



- *5 years warranty*
First 2 years extended warranty
- *Lucolense wide beam technology*
- *High efficacy: 158lm/W*
- *Constant Current Technology*
- *Narrow white binning*

Lucoled Plus BL15 modules offer a high quality and efficient backlit solution for channel letters made from routed full acrylic.

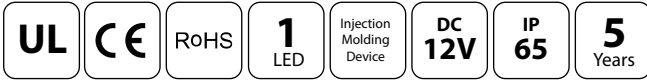
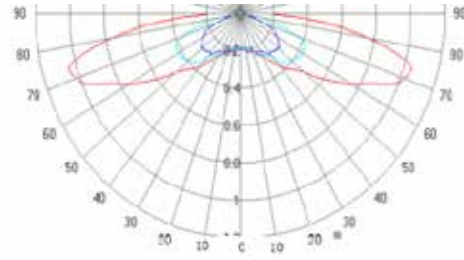
Lucoled Plus BL15 modules are IP67 and can be used without the need for fully potting the acrylic letters. This makes the production process much cleaner and faster. Potting material can also damage LED phosphor and can have a colour shift and reduced life as a result. The BL15 is a fully enclosed module and does not have this disadvantage.

Lucoled Plus BL15 can also be used in very narrow and small traditional channel letters.

SPECIFICATIONS

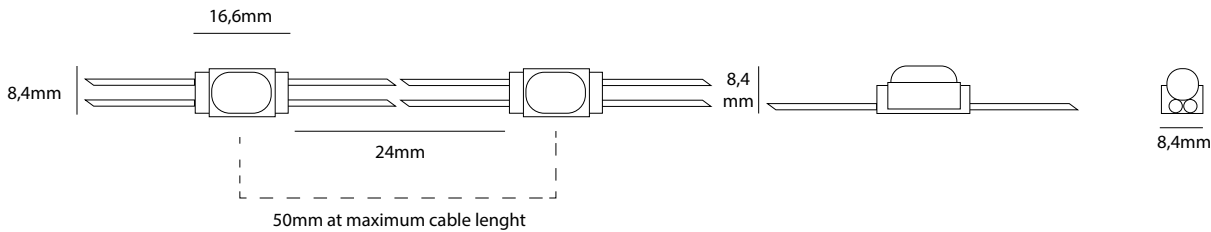
- Dimensions 16.6x8.4x8.4mm
- Warranty 5 years (first 2 years extended)
- Beam angle: 170° x 130° oval
- Can be cut between every unit
- UL, CE and RoHS compliant
- Narrow white binning
- Constant Current Technology
- Operating temperature -25~+80C

LUMINOUS INTENSITY DISTRIBUTION



Item no	LED colour	CT (K)	CRI	Power (W/mod)	Flux (lm/mod)	Efficacy (lm/W)	Voltage (DC)	Modules per chain	Modules per carton
BL15-W65	white	6500	>70	0.24	38	158	12	50	6000

DIMENSIONS



POWER SUPPLY CAPACITY 12V SERIES

Item	PP1230	PP1260	PP12100	PP12150	PP12200
Power Output	30W	60W	100W	150W	200W
BL15 modules / power supply	112	225	375	562	750
Number of chains (maximum 50 modules per chain)	3	4	8	12	15

PACKAGING

Item	Qty (pcs/bag)	Qty (bag / carton)	Total Qty (pcs / carton)	Total weight (kg)	Carton size (LxWxH) in mm
BL15	500	12	6000	7.2	264 x 376 x 272

next

LUCOLED BL16



- *5 years warranty*
First 2 years extended warranty
- *Lucolense Technology*
- *High efficacy: 133lm/W*
- *Constant Current Technology*
- *Narrow white binning*

Lucoled Plus BL16 modules offer a high quality and efficient backlit solution for small face lit channel letters with a depth from 20 to 60mm and stroke widths up to 50 mm for a single row.

Lucoled Plus BL16 modules are IP67 and can be used in outdoor applications.

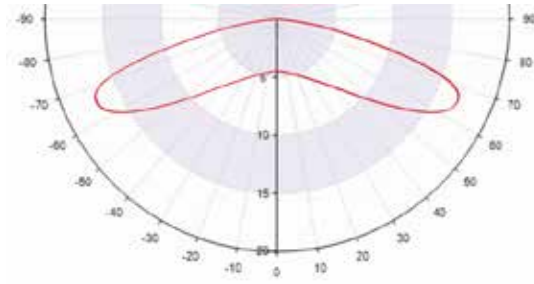
Lucoled Plus BL16 modules are available in several colour temperatures.

SPECIFICATIONS

- Dimensions 10.3x15.3x7.8mm
- Warranty 5 years (first 2 years extended)
- Beam angle: 160°
- Can be cut between every unit
- UL, CE and RoHS compliant
- Narrow white binning
- Constant Current Technology
- Operating temperature -25~+80C

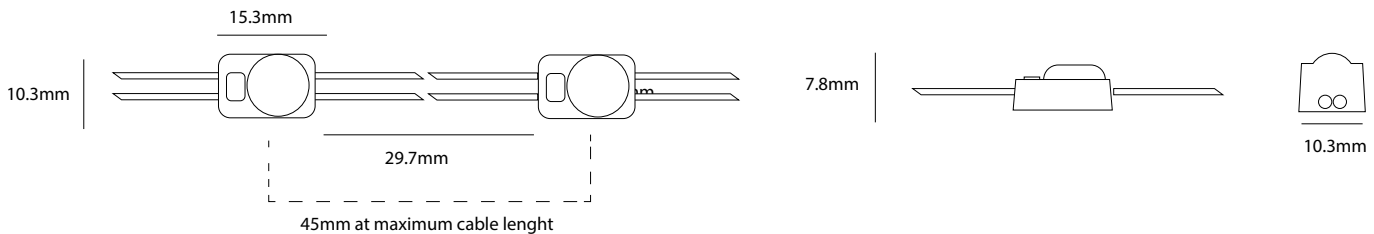


LUMINOUS INTENSITY DISTRIBUTION



Item no	LED colour	CT (K)	CRI	Power (W/mod)	Flux (lm/mod)	Efficacy (lm/W)	Voltage (DC)	Modules per chain	Modules per carton
BL16-W35	white	3500	>70	0.30	30	100	12	50	5600
BL16-W71	white	7100	>70	0.24	32	133	12	50	5600

DIMENSIONS



POWER SUPPLY CAPACITY 12V SERIES

Item	PP1230	PP1260	PP12100	PP12150	PP12200
Power Output	30W	60W	100W	150W	200W
BL16 modules / power supply	112	225	375	562	750
Number of chains (maximum 50 modules per chain)	3	4	8	12	15

PACKAGING

Item	Qty (pcs/bag)	Qty (bag / carton)	Total Qty (pcs / carton)	Total weight (kg)	Carton size (LxWxH) in mm
BL16	400	14	5600	11.8	530 x 380 x 280



LUCOLED BL20



- *5 years warranty*
First 2 years extended warranty
- *Smallest 2 LED module*
- *Lucolense technology*
- *Narrow white binning*
- *Bend-And-Stay wiring*

Lucoled Plus BL20 modules offer a high quality and efficient backlit solution for small face lit channel letters with a depth from 20 to 60 mm.

Lucoled Plus BL20 modules are IP67 and are easy to install due to the VHB tape with a peel-off lip and special Bend-And-Stay wiring that keeps its position once bent.

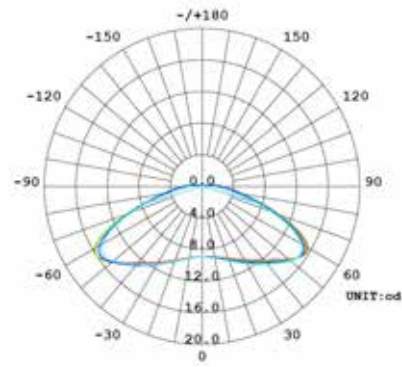
Lucoled Plus BL20 is the best solution for very narrow and small, face lit, channel letters, including 3D printed versions.

SPECIFICATIONS

- Dimensions 8.5x13.3x7.8mm
- Warranty 5 years (first 2 years extended)
- Beam angle: 155°
- Can be cut between every unit
- UL, CE and RoHS compliant
- Narrow white binning
- Constant Current Technology
- Operating temperature -25~+60C
- 3M VHB tape
- Bend-And-Stay PVC wires

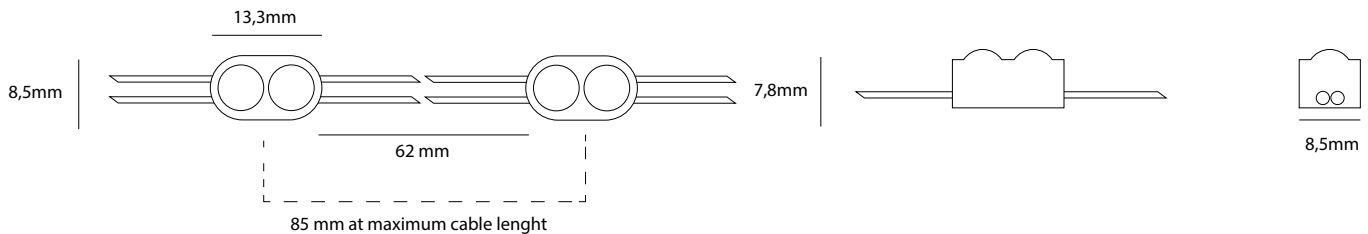


LUMINOUS INTENSITY DISTRIBUTION



Item no	LED colour	CT (K)	CRI	Power (W/mod)	Flux (lm/mod)	Efficacy (lm/W)	Voltage (DC)	Modules per chain	Modules per carton
BL20-W65	white	6500	>80	0.28	30	107	12	50	6000

DIMENSIONS



POWER SUPPLY CAPACITY 12V SERIES

Item	PP1230	PP1260	PP12100	PP12150	PP12200
Power Output	30W	60W	100W	150W	200W
BL20 modules / power supply	112	225	375	562	750
Number of chains (maximum 50 modules per chain)	3	4	8	12	15

PACKAGING

Item	Qty (pcs/bag)	Qty (bag / carton)	Total Qty (pcs / carton)	Total weight (kg)	Carton size (LxWxH) in mm
BL20	500	12	6000	n.a.	n.a.



LUCOLED BL31



- *5 years warranty*
- *First 2 years extended warranty*
- *Lucolense wide beam technology*
- *High efficacy*
- *Constant Current Technology*
- *Narrow white binning*

Lucoled Plus BL31 modules offer a high quality and efficient backlit solution for lightboxes with a depth of 100-300 mm.

Using the latest Top-Tier LED technology and high quality patented optics Lucoled Plus BL31 offers industry leading efficacy and coverage. This not only reduces the amount of modules needed for an application, but also the overall power consumption.

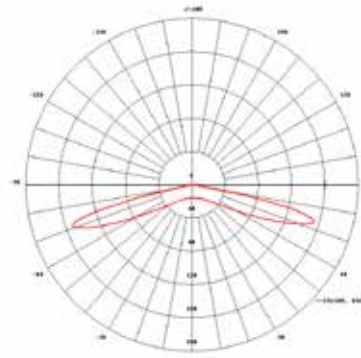
In a typical application of 125 mm deep only 9 modules per square meter are used at maximum wire spacing, making installation very fast and less labour intensive. Using only 32,4 W per square meter also the number of power supplies needed is strongly reduced.

SPECIFICATIONS

- Dimensions 169x32x10mm
- Warranty 5 years (first 2 years extended)
- Beam angle: 170°
- Can be cut between every unit
- UL, CE and RoHS compliant
- Narrow white binning
- Constant Current Technology
- Operating temperature -25~+60C

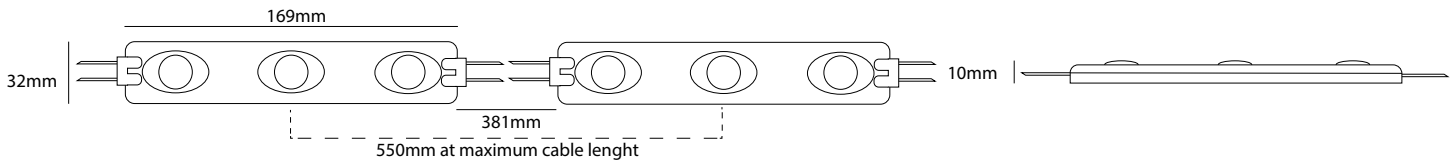


LUMINOUS INTENSITY DISTRIBUTION

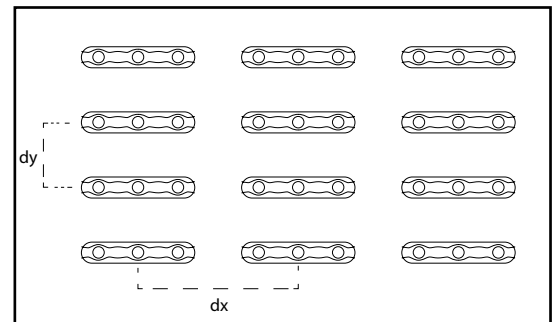


Item no	LED colour	CT (K)	CRI	Power (W/mod)	Flux (lm/mod)	Efficacy (lm/W)	Voltage (DC)	Modules per chain	Modules per carton
BL31-W65	white	6500	>70	3.6	350	97	12	16	320

DIMENSIONS



Light box depth (mm)	Space between modules (mm)	Installing density (pcs/m ²)	Surface luminance range (cd/m ²)
dz=100	dx=300, dy=250	13	900-1100
dz=150	dx=300, dy=500	7	400-450
dz=200	dx=300, dy=700	5	250-300
dz=250	dx=350, dy=900	3	160-180
dz=300	dx=350, dy=1100	3	160-180



Results may vary depending on face material properties. The data above was obtained using 3mm thick opaque acrylic with a 54% light transmittance. Lucoled advises to paint the inside of the box/letters in a matt white colour for achieving an optimal result. Always test before production.

POWER SUPPLY CAPACITY 12V SERIES

Item	PP1230	PP1260	PP12100	PP12150	PP12200
Power Output	30W	60W	100W	150W	200W
BL31 modules / power supply	7	14	24	36	48
Number of chains (maximum 16 modules per chain)	1	1	2	3	4

PACKAGING

Item	Qty (pcs/bag)	Qty (bag / carton)	Total Qty (pcs / carton)	Total weight (kg)	Carton size (LxWxH) in mm
BL31	32	10	320	19	528 x 376 x 272



LUCOLED BL35-RGBW



- *5 years warranty*
- *Lucolense wide beam technology*
- *High efficacy*
- *Constant Current Technology*

Lucoled Plus BL35-RGBW modules offer a high quality backlit solution for colour changing or custom colour channel letters and lightboxes with a depth of 80 – 250 mm.

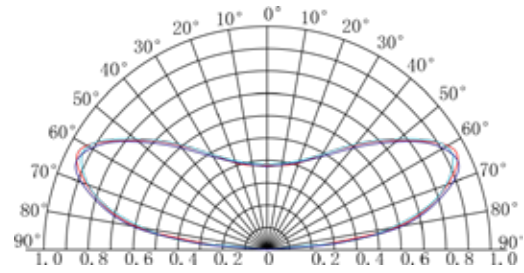
Using the latest 4-in-1 package RGBW technology the modules can create a true white, as it contains a separate white LED. By adding white to the RGB mix it is possible to accurately match any colour desired and make pastel and lighter colours more vibrant. The special optics provide optimal mixing of the individual colours and make it possible to use the modules in shallow applications.

Lucoled Plus BL35-RGBW can be controlled by all available control systems in the market, offering maximum flexibility for your projects.

SPECIFICATIONS

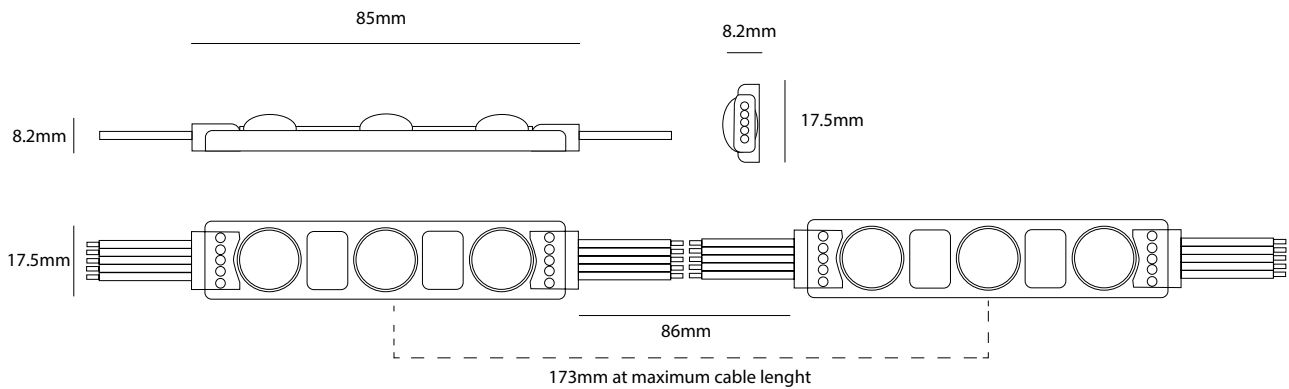
- Dimensions 85x17.5x8.2mm
- Warranty 5 years
- Beam angle: 160°
- Can be cut between every unit
- UL, CE and RoHS compliant
- Constant Current Technology
- Operating temperature -25~+60C

LUMINOUS INTENSITY DISTRIBUTION



Item no	LED colour	CT (K)	CRI	Power (W/mod)	Flux (lm/mod)	Voltage (DC)	Modules per chain	Modules per carton
BL35-RGBW	RGBW	RGBW (W=6500)	>75	0.96	R6 G22 B5 W20	12	20	800

DIMENSIONS



PACKAGING

Item	Qty (pcs/bag)	Qty (bag / carton)	Total Qty (pcs / carton)	Total weight (kg)	Carton size (LxWxH) in mm
BL35-RGBW	100	8	800	12.0	420 x 390 x 180



LUCOLED BL70



- *5 years warranty*
First 2 years extended warranty
- *Lucolense wide beam technology*
- *High efficacy*
- *Constant Current Technology*
- *Narrow white binning*

Lucoled Plus BL70 modules offer a high quality and efficient backlit solution for lightboxes with a depth of 120-300 mm.

Using the latest Top-Tier LED technology and high quality patented optics Lucoled Plus BL70 offers industry leading efficacy and coverage. This not only reduces the amount of modules needed for an application, but also the overall power consumption.

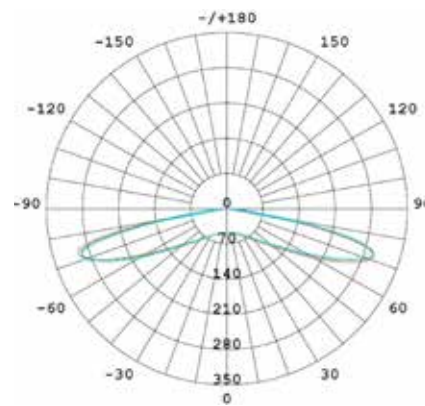
In a typical application of 160 mm deep only 4 modules per square meter are used at maximum wire spacing, making installation very fast and less labour intensive. Using only 28 W per square meter also the number of power supplies needed is strongly reduced.

SPECIFICATIONS

- Dimensions 113x83x10mm
- Warranty 5 years (first 2 years extended)
- Beam angle: 160°
- Can be cut between every unit
- UL, CE and RoHS compliant
- Narrow white binning
- Constant Current Technology
- Operating temperature -25~+60C

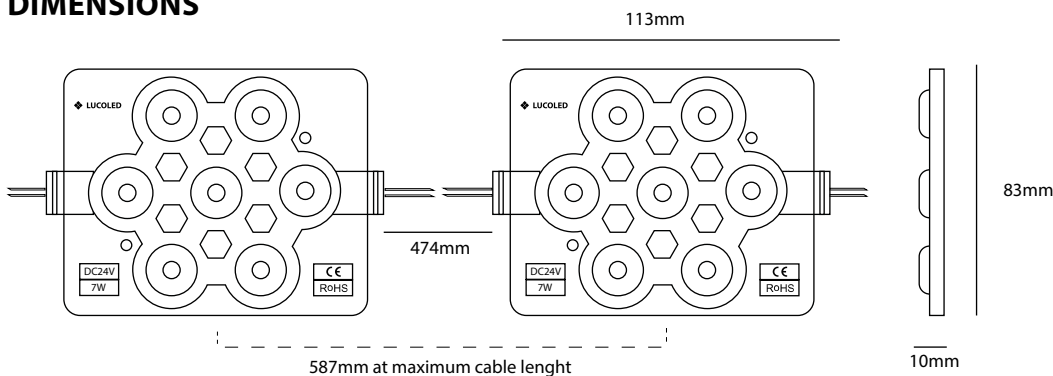


LUMINOUS INTENSITY DISTRIBUTION

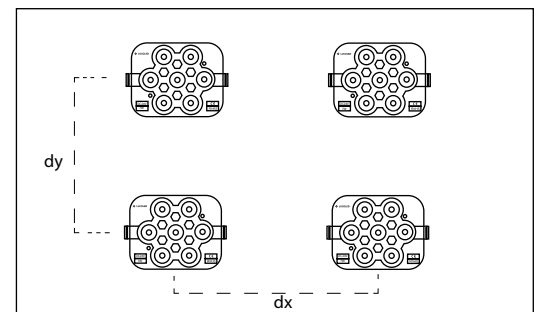


Item no	LED colour	CT (K)	CRI	Power (W/mod)	Flux (lm/mod)	Efficacy (lm/W)	Voltage (DC)	Modules per chain	Modules per carton
BL70-W65	white	6500	>70	7.0	850	121	24	10	80

DIMENSIONS



Light box depth (mm)	Space between modules (mm)	Installing density (pcs/m ²)	Surface luminance range (cd/m ²)
dz=120	dx=300, dy=300	9	1250-1350
dz=150	dx=450, dy=400	6	850-950
dz=180	dx=500, dy=500	4	450-550
dz=180	dx=450, dy=400	6	700-800
dz=180	dx=300, dy=300	9	1050-1150
dz=250	dx=500, dy=500	4	350-450



Results may vary depending on face material properties. The data above was obtained using 3mm thick opaque acrylic with a 54% light transmittance. LUCOLED advises to paint the inside of the box/letters in a matt white colour for achieving an optimal result. Always test before production.

POWER SUPPLY CAPACITY 24V SERIES

Item	PP2430	PP2460	PP24100	PP24150	PP24200
Power Output	30W	60W	100W	150W	200W
BL70 modules / power supply	3	7	13	19	25
Number of chains (maximum 10 modules per chain)	1	1	2	2	3

PACKAGING

Item	Qty (pcs/layer)	Qty (layers / carton)	Total Qty (pcs / carton)	Total weight (kg)	Carton size (LxWxH) in mm
BL70	20	4	80	13	528 x 376 x 272



LUCOLED BLI



- *5 years warranty*
- *Lucolense prismatic flat beam technology*
- *High efficacy*
- *Constant Current Technology*
- *Narrow white binning*

Lucoled BLI LED bars offer a high quality and efficient backlit solution for very shallow lightboxes down to 30 mm deep.

The BLI series comes in 2 lengths, each simply cuttable to fit your lightbox. The whole system is equipped with connectors and comes with a pre wired connection system, making it a plug-and-play installation.

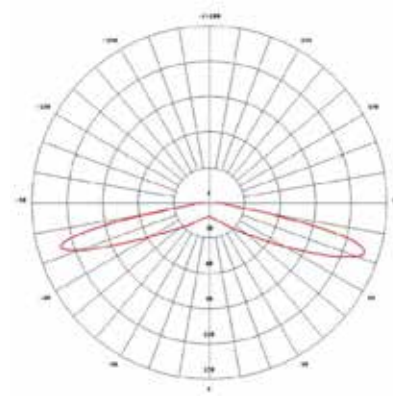
The BLI series uses the latest reimagined flat beam prism lens technology, reducing the number of LED's required for an even illumination and thus also reducing required power per square meter to only 57 W/m². This while offering 6.798 lumen per square meter, 120 lm/W efficiency, giving a bright and efficient result at reduced total cost of ownership.

SPECIFICATIONS

- 2835 SMD LED with long life and low attenuation
- Easy installation with connectors and prewired cable harness, plug and play.
- Warranty 5 years
- Beam angle: 170°
- Cutable every 2 LEDs
- UL, CE and RoHS compliant
- Narrow white binning
- Constant Current Technology
- Operating temperature -25~+60C



LUMINOUS INTENSITY DISTRIBUTION



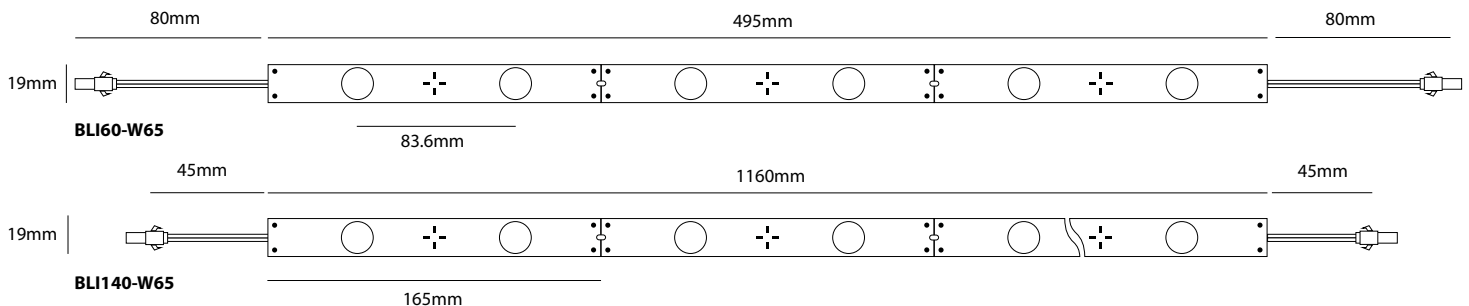
Item no	LED colour	CT (K)	CRI	Power (W/mod)	Flux (lm/mod)	Efficacy (lm/W)	Voltage (DC)	Modules in series	Modules per BLI-CON	Modules per carton
BLI60-W65	white	6500	>70	2.6	312	120	24	25	60	180
BLI140-W65	white	6500	>70	6	720	120	24	10	30	180

ACCESSORIES

Item no	Description
BLI-CON	BLI cable assembly, 1.5m, 12 connections, every 10cm.
BLI-FCON	BLI power flying leads with female connector
BLI-MCON	BLI power flying leads with male connector
BLI-JCT-300	BLI junction cable male-female 300mm



DIMENSIONS



Light box depth (mm)	row distance (mm)
30 - 60mm	80mm
60 - 80mm	90mm
80 - 100mm	100mm

Results may vary depending on face material properties. The data above was obtained using 3mm thick opaque acrylic with a 54% light transmittance. Lucoled advises to paint the inside of the box/letters in a matt white colour for achieving an optimal result. Always test before production.

POWER SUPPLY CAPACITY 24V SERIES

Item	PP2430	PP2460	PP24100	PP24150	PP24200
Power Output	30W	60W	100W	150W	200W
BLI 60modules / power supply	10	20	34	52	69
BLI140 modules / power supply	4	9	15	22	30

PACKAGING

Item	Qty (pcs/bag)	Qty (bags / carton)	Total Qty (pcs / carton)	Total weight (kg)	Carton size (LxWxH) in mm
BLI60-W65	18	10	180	8	570x340x250
BLI140-W65	18	10	180	18	1220x340x250
BLI-CON	30	1	30	5	400x300x150



LUCOLED DS80



- *5 years warranty*
- *Lucolense prismatic flat beam technology*
- *High efficacy*
- *Constant Current Technology*
- *Narrow white binning*
- *Easy installation*

Lucoled DS80 offers a high quality and efficient back lighting solution for double sided lightboxes and pylons.

The DS80 is installed in an aluminium mounting profile that is mounted into the sign by easy to install mounting clips. The mounting profile can be cut to size and comes in 3 standard lengths.

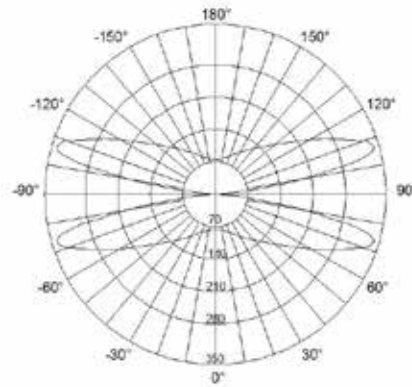
The DS80 has an industry leading efficiency of 165 lumen per Watt. In a typical pylon the DS80 can be installed with 400 mm row and module spacing due to the use of flat beam prism lenses. This reduces the energy consumption to less than 22 Watt per square meter per side. Still offering almost 3.600 lumen per square meter per side.

SPECIFICATIONS

- Dimensions 155x38x11 mm
- Warranty 5 years
- Beam angle: 170°
- Can be cut between every unit
- UL, CE and RoHS compliant
- Narrow white binning
- Constant Current Technology
- Operating temperature -25~+60C
- Easy installation using aluminium profiles and clips



LUMINOUS INTENSITY DISTRIBUTION

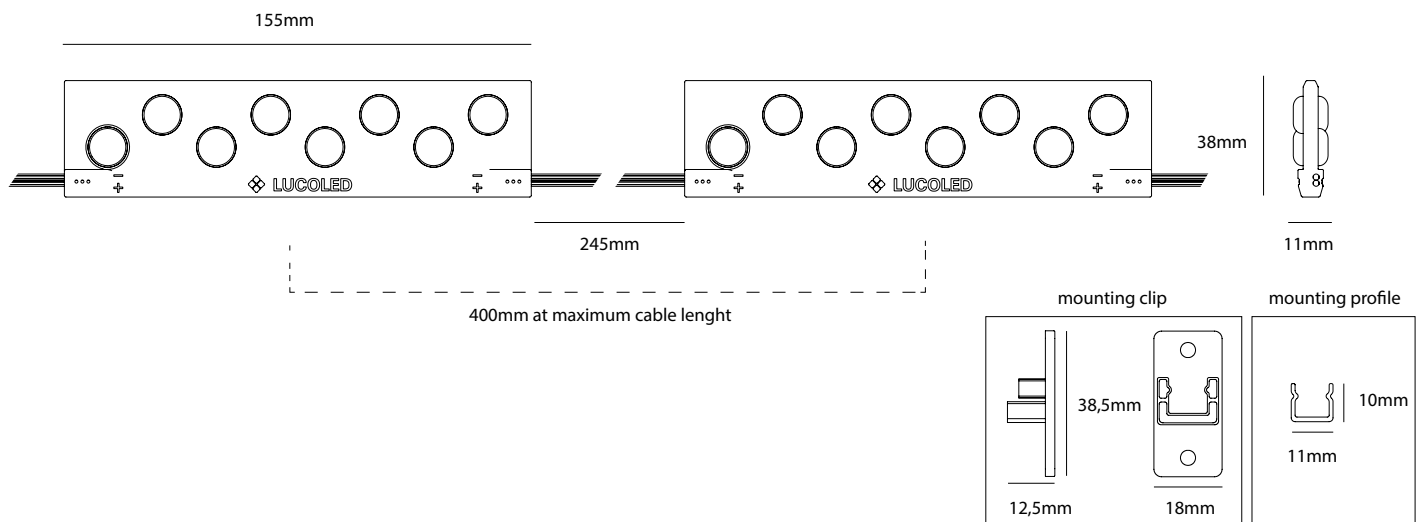


Item no	LED colour	CT (K)	CRI	Power (W/mod)	Flux (lm/mod)	Efficacy (lm/W)	Voltage (DC)	Modules in series	Modules per carton
DS80-W65	white	6500	>70	4.8	792	165	24	20	400

ACCESSORIES

Item no	Description
DS-MC	DS mounting clip, bag of 100
DS-MP-100	DS mounting profile, 1m, bag of 10
DS-MP-200	DS mounting profile, 2m, bag of 10
DS-MP-300	DS mounting profile, 3m, bag of 10

DIMENSIONS



POWER SUPPLY CAPACITY 24V SERIES

Item	PP2460	PP24100	PP24150	PP24200
Power Output	60W	100W	150W	200W
DS80 modules / power supply	12	18	28	36

PACKAGING

Item	Qty (pcs/bag)	Qty (bags / carton)	Total Qty (pcs / carton)	Total weight (kg)	Carton size (LxWxH) in mm
DS80	20	20	400	26	528x376x272



LUCOLED EL10



- *5 years warranty*
- *First 2 years extended warranty*
- *Lucolense narrow beam technology*
- *High efficacy*
- *Constant Current Technology*
- *Narrow white binning*

Lucoled Edge Lighting EL10 modules offer a high quality and efficient solution for single-sided signs with a depth of 80-150 mm and double-sided signs with a depth of 80-150 mm, max. 1000 mm wide.

Lucoled EL10 uses patented light reflection technology to evenly illuminate single and double-sided small light boxes and signs. The licensed technology is based on the face being illuminated by over 70% indirect, internally reflecting, light transmitted by narrow beam flare lenses. The modules are mounted on the sides of the box, directing a beam of light at the opposite side. The reflecting light evenly illuminates the face.

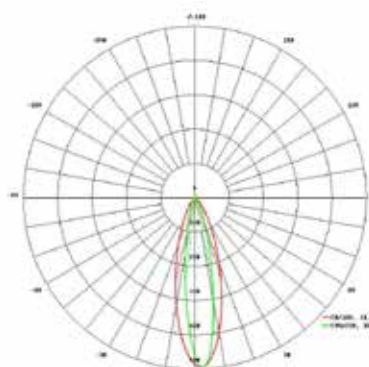
EL10 is ideal for round, oval or any other non-rectangular shaped sign as the individual modules can be positioned following the shape of the sides.

SPECIFICATIONS

- Dimensions 50x30x14mm
- Warranty 5 years (first 2 years extended)
- Beam angle: 19° * 32°
- Can be cut between every unit
- UL, CE and RoHS compliant
- Narrow white binning
- Constant Current Technology
- Operating temperature -25~+60C

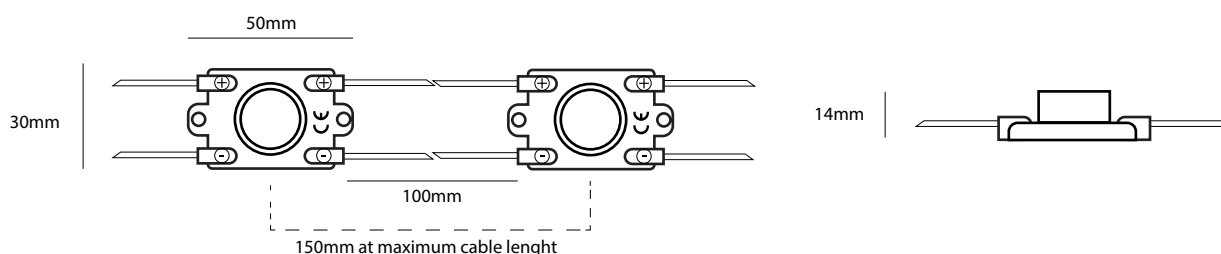


LUMINOUS INTENSITY DISTRIBUTION



Item no	LED colour	CT (K)	CRI	Power (W/mod)	Flux (lm/mod)	Efficacy (lm/W)	Voltage (DC)	Modules per chain	Modules per carton
EL10-W65	white	6500	>70	1.6	160	100	12	25	600

DIMENSIONS

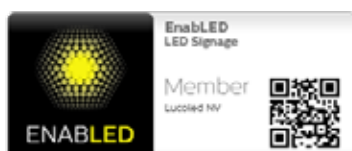


POWER SUPPLY CAPACITY 12V SERIES

Item	PP1230	PP1260	PP12100	PP12150	PP12200
Power Output	30W	60W	100W	150W	200W
EL10 modules / power supply	16	33	56	84	112
Number of chains (maximum 25 modules per chain)	1	2	3	4	5

PACKAGING

Item	Qty (pcs/bag)	Qty (bag / carton)	Total Qty (pcs / carton)	Total weight (kg)	Carton size (LxWxH) in mm
EL10	50	12	600	10,5	528 x 376 x 272



This product is licensed under the Signify (formerly Philips) EnabLED Signage program when bought as a kit including power supply. The final product in which this kit is used will be covered by this license and free from further royalties.



LUCOLED EL31



- *5 years warranty*
- *First 2 years extended warranty*
- *Lucolense narrow beam technology*
- *High efficacy*
- *Constant Current Technology*
- *Narrow white binning*

Lucoled Edge Lighting EL31 modules offer a high quality and efficient solution for single-sided lightboxes with a depth of 50-100 mm and double-sided lightboxes with a depth of 100-150 mm, max. 1000 mm wide.

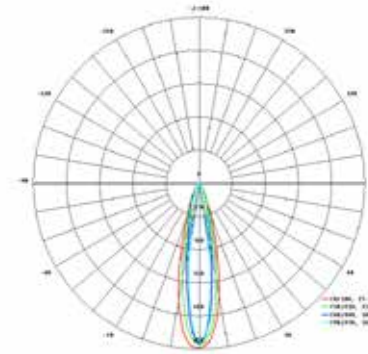
Lucoled EL31 uses patented light reflection technology to evenly illuminate single and double-sided medium size light boxes and signs. The licensed technology is based on the face being illuminated by over 70% indirect, internally reflecting, light transmitted by narrow beam flare lenses. The modules are mounted on the sides of the box, directing a beam of light at the opposite side. The reflecting light evenly illuminates the face.

EL31 is ideal for medium size rectangular shaped signs. The individual modules are normally positioned on opposite sides on the longest side of the sign.

SPECIFICATIONS

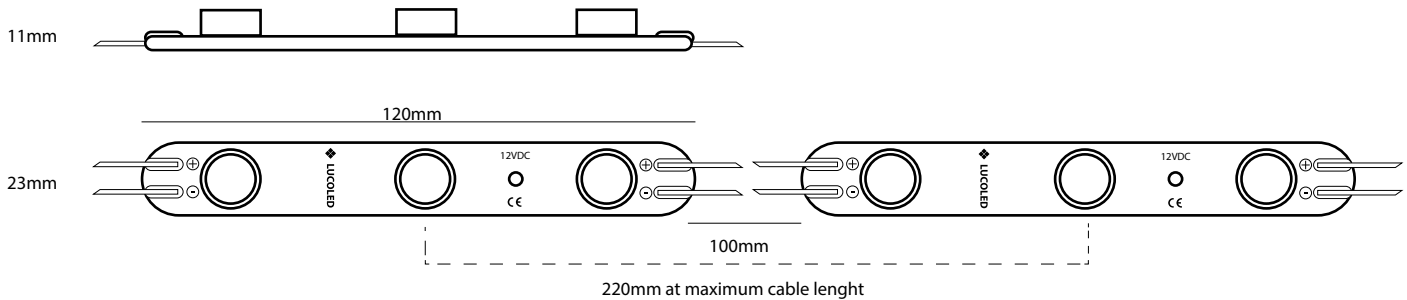
- Dimensions 120x23x11mm
- Warranty 5 years (first 2 years extended)
- Beam angle: 18° * 25°
- Can be cut between every unit
- UL, CE and RoHS compliant
- Narrow white binning
- Constant Current Technology
- Operating temperature -25~+60C

LUMINOUS INTENSITY DISTRIBUTION



Item no	LED colour	CT (K)	CRI	Power (W/mod)	Flux (lm/mod)	Efficacy (lm/W)	Voltage (DC)	Modules per chain	Models per carton
EL31-W40	white	4000	>70	2.88	327	114	12	20	480
EL31-W65	white	6500	>70	2.88	327	114	12	20	480

DIMENSIONS

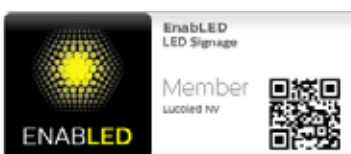


POWER SUPPLY CAPACITY 12V SERIES

Item	PP1230	PP1260	PP12100	PP12150	PP12200
Power Output	30W	60W	100W	150W	200W
EL31 modules / power supply	9	18	31	46	62
Number of chains (maximum 20 modules per chain)	1	1	2	3	4

PACKAGING

Item	Qty (pcs/bag)	Qty (bag / carton)	Total Qty (pcs / carton)	Total weight (kg)	Carton size (LxWxH) in mm
EL31	60	8	480	14,5	528 x 376 x 272



This product is licensed under the Signify (formerly Philips) EnabLED Signage program when bought as a kit including power supply. The final product in which this kit is used will be covered by this license and free from further royalties.



LUCOLED EL36



- *5 years warranty*
- *Lucolense narrow beam technology*
- *High efficacy*
- *Constant Current Technology*
- *Narrow white binning*
- *For illuminating 3m wide lightboxes*

Lucoled Edge Lighting EL36 modules offer a high quality and efficient solution for single-sided lightboxes with a depth of 100-120 mm and double-sided lightboxes with a depth of 125-180 mm, max. 3000 mm wide.

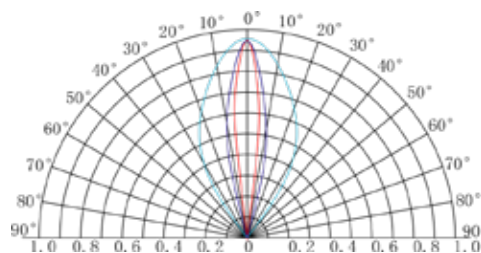
Lucoled EL36 uses patented light reflection technology to evenly illuminate single and double-sided large format light boxes. The licensed technology is based on the face being illuminated by over 70% indirect, internally reflecting, light transmitted by narrow beam flare lenses. The modules are mounted on the sides of the box, directing a beam of light at the opposite side.

EL36 is ideal for large size rectangular shaped signs. The individual modules are normally positioned on opposite sides on the longest side of the sign.

SPECIFICATIONS

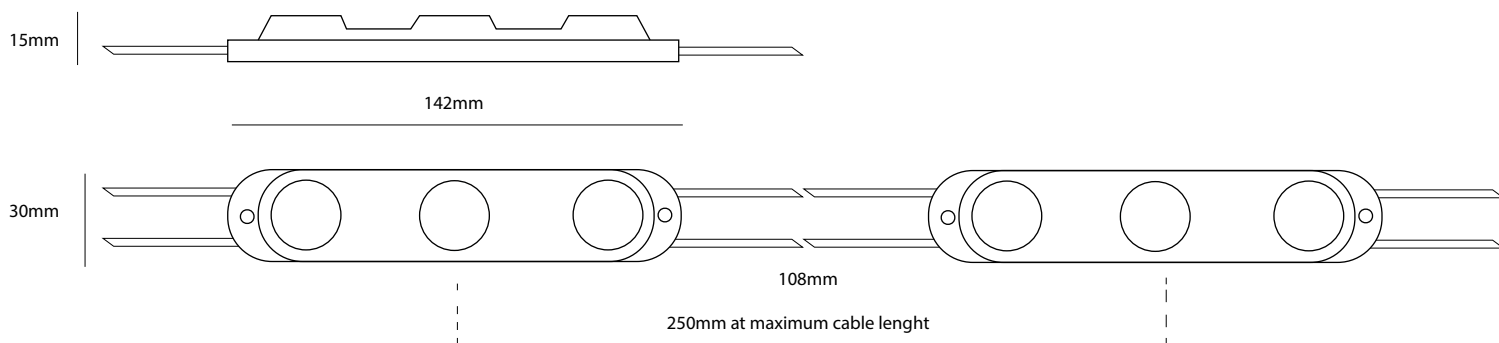
- Dimensions 142x30x15mm
- Warranty 5 years
- Beam angle: 10° * 40°
- Can be cut between every unit
- UL, CE and RoHS compliant
- Narrow white binning
- Constant Current Technology
- Operating temperature -25~+60C

LUMINOUS INTENSITY DISTRIBUTION



Item no	LED colour	CT (K)	CRI	Power (W/mod)	Flux (lm/mod)	Efficacy (lm/W)	Voltage (DC)	Modules per chain	Modules per carton
EL36-W65	white	6500	>75	6.5	800	123	24	15	150

DIMENSIONS

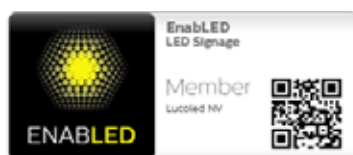


POWER SUPPLY CAPACITY 24V SERIES

Item	PP2430	PP2460	PP24100	PP24150	PP24200
Power Output	30W	60W	100W	150W	200W
EL36 modules / power supply	4	8	14	20	28
Number of chains (maximum 15 modules per chain)	1	1	1	1.5	1.9

PACKAGING

Item	Qty (pcs/ layer)	Qty (layer / carton)	Total Qty (pcs / carton)	Total weight (kg)	Carton size (LxWxH) in mm
EL36	30	5	150	10,55	420x380x180



This product is licensed under the Signify (formerly Philips) EnabledLED Signage program when bought as a kit including power supply. The final product in which this kit is used will be covered by this license and free from further royalties.



LUCOLED ELI



- *5 years warranty*
- *Lucolense narrow beam technology*
- *High efficacy*
- *Quick Connector in WAGO or AMPR plug*
- *Constant Current Technology*
- *Narrow white binning*
- *Customized length available*

Lucoled Edge Lighting ELI modules offer a high quality and efficient solution for Indoor single-sided lightboxes with a depth of 60-100 mm and double-sided lightboxes with a depth of 100-200 mm, max. 2000 mm wide.

Lucoled ELI uses patented light reflection technology to evenly illuminate single and double-sided medium and large format indoor light boxes. The licensed technology is based on the face being illuminated by over 70% indirect, internally reflecting, light transmitted by narrow beam flare lenses. The modules are mounted on the sides of the box, directing a beam of light at the opposite side.

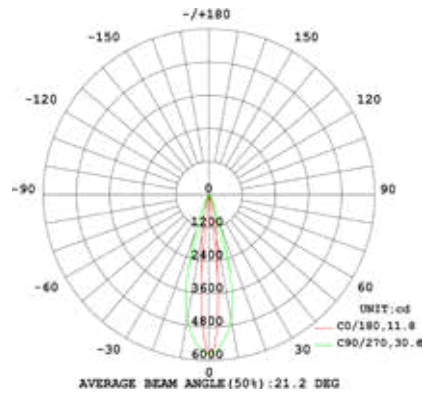
Lucoled ELI modules are ideal for medium and large size rectangular shaped indoor signs. The individual modules are normally positioned on opposite sides on the longest side of the sign. The modules can be linked in a chain easily as they come with connectors on both sides.

SPECIFICATIONS

- Dimensions:
 - ELI30: 219x25x14,8mm
 - ELI50: 365x25x14,8mm
 - ELI60: 438x25x14,8mm
- Warranty 5 years
- Beam angle: 7° * 30°
- UL, CE and RoHS compliant
- Narrow white binning
- Constant Current Technology
- Operating temperature -25~+60C



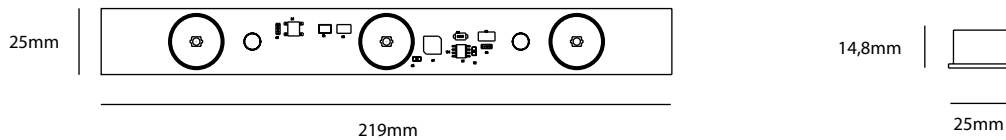
LUMINOUS INTENSITY DISTRIBUTION



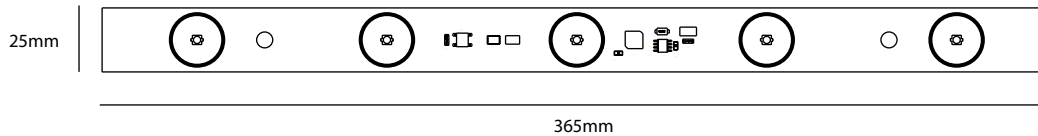
Item no	LED colour	CT (K)	CRI	Power (W/mod)	Flux (lm/mod)	Efficacy (lm/W)	Voltage (DC)	Modules per chain	Models per carton
ELI30-W65	white	6500	>70	7,92	807	102	24	10	160
ELI50-W65	white	6500	>70	13.20	1346	102	24	6	160
ELI60-W65	white	6500	>70	15,50	1581	102	24	5	140

DIMENSIONS

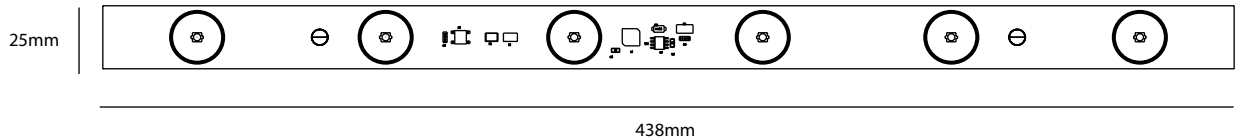
ELI30



ELI50



ELI60

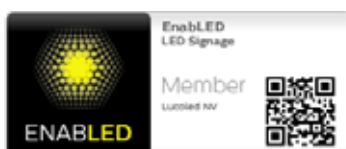


POWER SUPPLY CAPACITY 24V SERIES

Item	PP2430	PP2460	PP24100	PP24150	PP24200
Power Output	30W	60W	100W	150W	200W
ELI30 modules / power supply	3	6	11	17	22
Number of ELI30 chains (max. 10 modules per chain)	1	1	2	2	3
ELI50 modules / power supply	2	4	6	10	13
Number of ELI50 chains (max. 6 modules per chain)	1	1	1	2	3
ELI60 modules / power supply	1	3	5	8	11
Number of ELI60 chains (max. 5 modules per chain)	1	1	1	2	3

PACKAGING

Item	Qty (pcs/bag)	Qty (bag / carton)	Total Qty (pcs / carton)	Total weight (kg)	Carton size (LxWxH) in mm
ELI30	1	160	160	10,28	550x400x340
ELI50	1	160	160	12,35	550x400x340
ELI60	1	140	140	12,78	550x400x340



This product is licensed under the Signify (formerly Philips) Enabled LED Signage program when bought as a kit including power supply. The final product in which this kit is used will be covered by this license and free from further royalties.



LUCOLINE30



- *The most reliable border tubing in the industry*
- *Long (> 80.000hrs) and maintenance-free life*
- *5 year extended warranty*
- *Adjustable lengths available, cuttable every 55mm*
- *Bright and consistent illumination*
- *Current sense circuit - patented safety device*
- *Safe to touch with zero shock risk*
- *Runs up to 90 meters on only one power supply*
- *Fast and easy installation*

LucoLINE has been used around the world to illuminate the properties of countless blue-chip customers. It's perfect for use in public access areas such as retail stores, clubs and pubs, restaurants, cinemas, service stations, supermarkets and casinos.

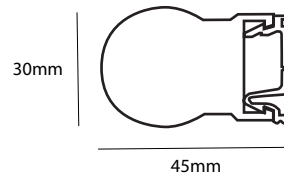
In fact, anywhere that a flexible, 100% safe product with a pure and even spread of light is needed.

Available in a wide range of colours, LucoLINE30 is an illuminated, extruded, 30mm diameter, acrylic tube that uses Light Emitting Diodes (LEDs) as its light source.

It's specifically designed for highlighting buildings, signage, displays and POS as a more reliable, robust, low power and long lasting alternative to neon/cold cathode glass tubes.

SPECIFICATIONS

- Dimensions:
30mm (W) x 45mm (H)
Lengths: 2.4m fixed, 2.4m adjustable, 1.2m adjustable
Cutttable every 55mm
- 5 year extended warranty
- Housing material in extruded PMMA composite
- Mounting clips in UV stabilized polycarbonate
- Mounting clip pull force >17kgs
- Mounting clip shear force >30kgs
- JST JWPF IP67 connectors
- Constant Current Technology
- Protection class IP66
- Operating temperature -30°C ~ +60°C

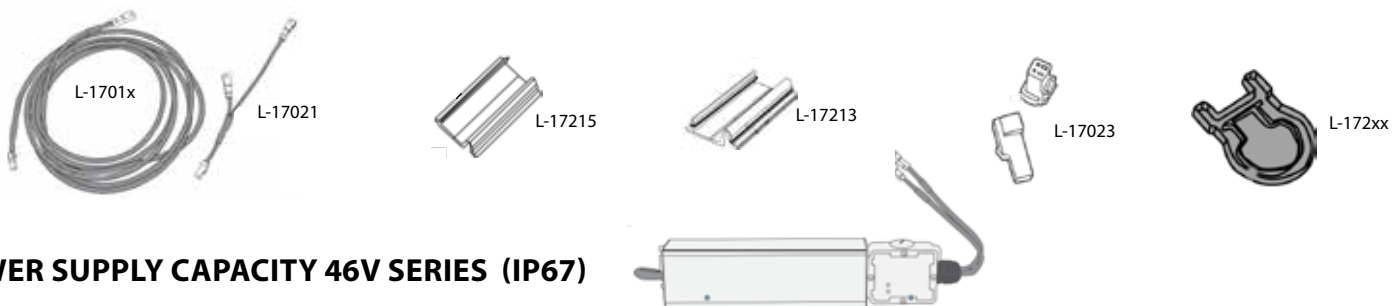


LUCOLINE30 TUBES

Item no	Description	Brightness	Daytime colour	NW/m
L-17563	Red - 2.4m fixed			
L-17564	Red - 2.4m adjustable	450cd/m2	PMS 1797	5.0W/m
L-17565	Red - 1.2m adjustable			
L-17420	Orange - 2.4m fixed			
L-17421	Orange - 2.4m adjustable	1200cd/m2	PMS 172	5.0W/m
L-17422	Orange - 1.2m adjustable			
L-17011	Yellow - 2.4m fixed			
L-17012	Yellow - 2.4m adjustable	1900cd/m2	PMS 116	5.0W/m
L-17013	Yellow - 1.2m adjustable			
L-17198	Amber - 2.4m fixed			
L-17197	Amber - 2.4m adjustable	1600cd/m2	PMS 7406	5.0W/m
L-17196	Amber - 1.2m adjustable			
L-17125	Light Green - 2.4m fixed			
L-17126	Light Green - 2.4m adjustable	300cd/m2	RAL 120 70 75	1.8W/m
L-17127	Light Green - 1.2m adjustable			
L-16996	Blue - 2.4m fixed			
L-16997	Blue - 2.4m adjustable	100cd/m2	PMS 280	5.0W/m
L-16998	Blue - 1.2m adjustable			
L-17008	White - 2.4m fixed			
L-17009	White - 2.4m adjustable	2250cd/m2	N/A	5.0W/m
L-17010	White - 1.2m adjustable			

ACCESSORIES

Item no	Description
L-17014	connection cable 1m
L-17015	connection cable 3m
L-17016	connection cable 5m
L-17017	connection cable 10m
L-17021	Y connector
L-17213	high friction mounting clip (10pcs)
L-17215	mounting clip (30pcs)
L-17023	blanking terminal
L-17205	amber end cap
L-17199	blue end cap
L-17200	light green end cap
L-17201	orange end cap
L-17202	red end cap
L-17203	white end cap
L-17204	yellow end cap
L-17053	field endcap glue



POWER SUPPLY CAPACITY 46V SERIES (IP67)

Power Supplies	L17018	L17019	L17020	L17081
LucoLINE30 colours	46VDC - 240W	46VDC - 96W	46VDC - 40W	46VDC - 20W
Light Green (1.8W/m)	2 x 45m	45m	20m	11m
Other colours (5.0W/m)	2 x 22m	18m	7m	4m



LUCOFLEX



- *Extremely flexible, UV stable, impact resistant and flame retardant silicon extrusion*
- *Protection class IP68*
- *5 year warranty*
- *Wide colour pallet, daytime colours when non-illuminated*
- *Bright, dot-free and homogeneous light*
- *Runs up to 15 meters on only one power supply*
- *Adjustable in length, cuttable every 50mm*
- *Interfaces with all automation and control systems*

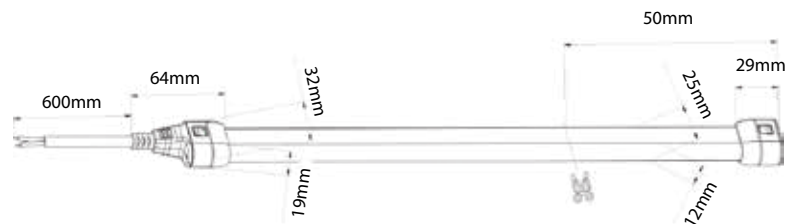
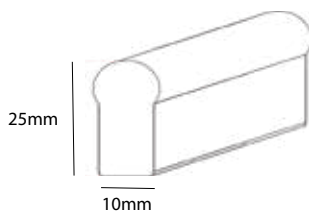
LucoFLEX is the world's first worthy alternative to neon lighting and signage. With its extreme flexibility and wide colour pallet LucoFLEX provides neon artists and lighting designers the creative freedom they are looking for, while still delivering a high-efficient, reliable, long life and maintenance free solution.

LucoFLEX is perfect for architectural exterior and interior lighting applications as it provides high performance, dot-free and homogeneous light, ideal for highlighting the perimeters and outlines of buildings, canopies, letters, signs and open-face channel letters.

Our flexible, IP68 protected silicon extrusion is UV stable, impact resistant, flame retardant and has a high resistance to chemicals and environmental influences, and is therefore backed by our 5 year warranty.

SPECIFICATIONS

- Dimensions:
10mm (W) x 25mm (H)
Lengths of 15m (cuttable every 50mm)
Cuttable every 50mm
- UV stable, impact resistant and flame retardant silicon extrusion
- 5 year warranty
- In-field flat bend of 25mm
- UL, CE and RoHS compliant
- Constant Current Technology
- Power per meter: 9.6W/m
- Protection class IP68
- Operating temperature -25°C ~ +60°C
- in-field flat bend of 25mm (radius)



LUCOFLEX TUBES

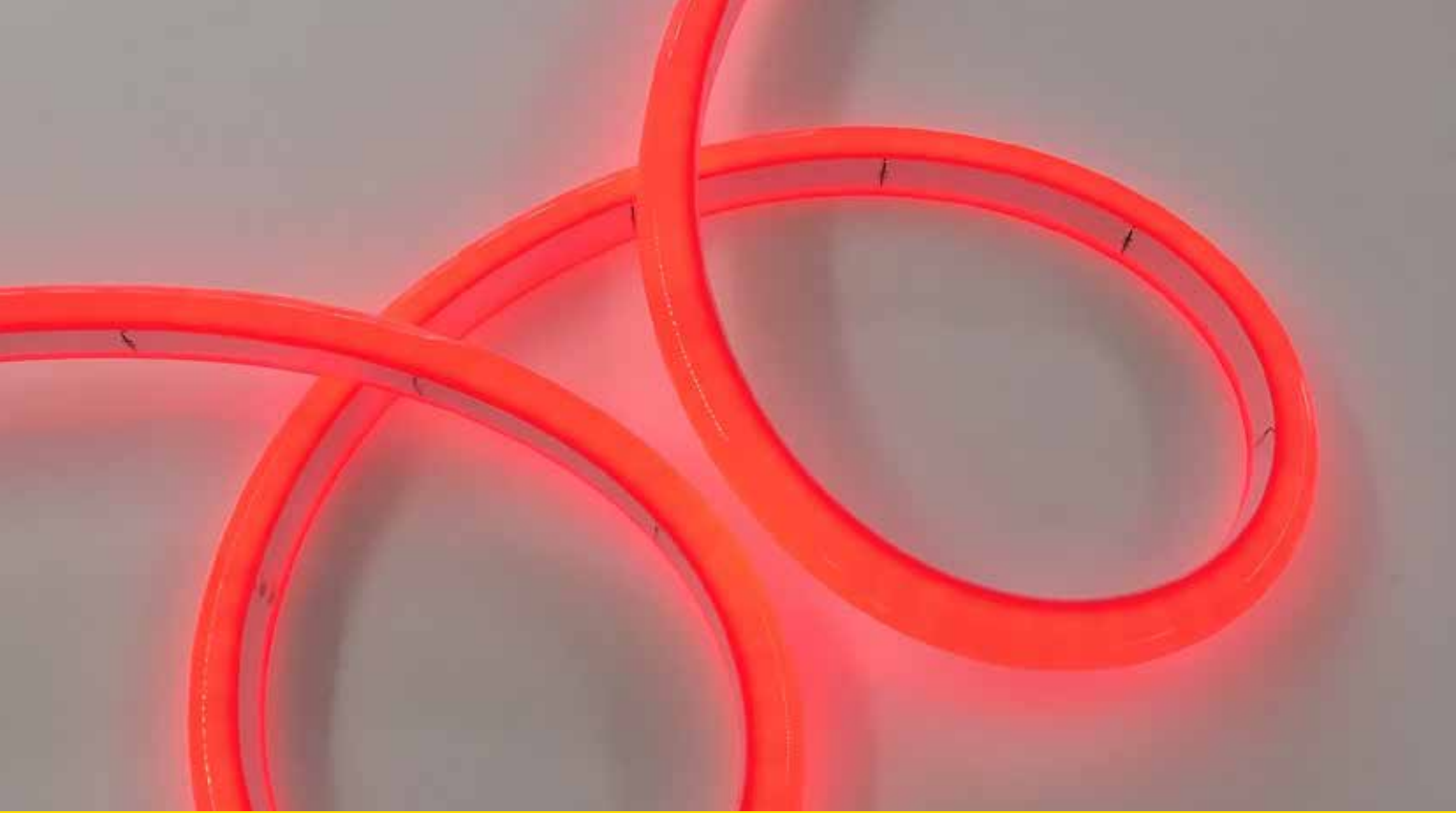
Item no	Description	Daytime colour	Nom. W/m
F-03000-W	Warm white - 15m adjustable	3000K	9.6W/m
F-04200-W	Daylight white - 15m adjustable	4200K	9.6W/m
F-06500-W	Cool white - 15m adjustable	6500K	9.6W/m
F-00585-Y	Yellow - 15m adjustable	585-590nm	9.6W/m
F-00620-R	Red - 15m adjustable	620-625nm	9.6W/m
F-00520-G	Green - 15m adjustable	520-525nm	9.6W/m
F-00465-B	Blue - 15m adjustable	465-470nm	9.6W/m
F-00600-O	Orange - 15m adjustable	600-605nm	9.6W/m
F-30000-F	Fuchsia - 15m adjustable	25000-35000K	9.6W/m
F-00400-P	Pink - 15m adjustable	400-410nm	9.6W/m

ACCESSORIES

Item no	Description
F-18001	Aluminium Mounting Channel (1m)
F-18002	Aluminium Mounting Clip
F-18003	Power supply solder connection
F-18004	Power supply pin connection
F-18005	Power pin connection bottom
F-18006	Power pin connection side
F-18007	Linear pin connection
F-18008	L-shape pin connection
F-18009	Endcap set
F-18010	Silicon end cap
F-18011	Silicon glue (45ml)

POWER SUPPLY CAPACITY 24V SERIES

Power Supplies	PP24200	PP24150	PP24100	PP2460	PP2430
	24VDC - 200W	24VDC - 150W	24VDC - 100W	24VDC - 60W	24VDC - 30W
All LucoFLEX colours (9.6W/m)	15m	14m	9m	5.6m	2.8m



LUCOFLEX D

- *Extremely flexible, UV stable, impact resistant and flame retardant silicon extrusion*
- *Protection class IP68*
- *5 year warranty*
- *5 colours and white, daytime colours when non-illuminated*
- *Bright, dot-free and homogeneous light*
- *Runs up to 15 meters on only one power supply*
- *Adjustable in length, cuttable every 50mm, 30mm top bend radius.*

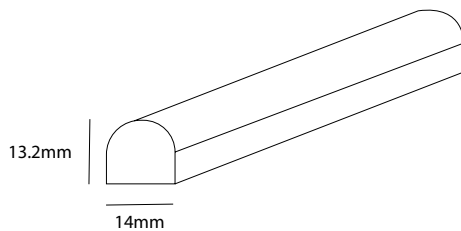
LucoFLEX D is the world's first worthy alternative to neon lighting and signage. With its extreme flexibility and wide colour pallet LucoFLEX provides neon artists and lighting designers the creative freedom they are looking for, while still delivering a high-efficient, reliable, long life and maintenance free solution.

LucoFLEX D is perfect for architectural exterior and interior lighting applications as it provides high performance, dot-free and homogeneous light, ideal for highlighting the perimeters and outlines of buildings, canopies, letters, signs and open-face channel letters.

Our flexible, IP68 protected silicon extrusion is UV stable, impact resistant, flame retardant and has a high resistance to chemicals and environmental influences, and is therefore backed by our 5 year warranty.

SPECIFICATIONS

- Dimensions:
14mm (W) x 13.2mm (H)
Lengths of 15m (cuttable every 50mm)
- UV stable, impact resistant and flame retardant silicon extrusion
- 5 year warranty
- In-field flat bend of 30mm
- UL, CE and RoHS compliant
- Constant Current Technology
- Power per meter: 7.7W/m
- Protection class IP68
- Operating temperature -25°C ~ +60°C
- in-field flat bend of 30mm (radius)



LUCOFLEX TUBES

Item no	Description		Daytime colour	Nom. W/m
FD-06500-W	Cool white - 15m adjustable		6500K	7.7W/m
FD-00585-Y	Yellow - 15m adjustable		585-590nm	7.7W/m
FD-00620-R	Red - 15m adjustable		620-625nm	7.7W/m
FD-00520-G	Green - 15m adjustable		520-525nm	7.7W/m
FD-00465-B	Blue - 15m adjustable		465-470nm	7.7W/m
FD-00600-O	Orange - 15m adjustable		600-605nm	7.7W/m

ACCESSORIES

Item no	Description
FD-18001	Aluminium Mounting Channel (1m)
FD-18002	Aluminium Mounting Clip
FD-18003	End cap hole
FD-18004	Plastic mounting clip
FD-18010	End cap
F-18011	Silicon glue (45ml)

POWER SUPPLY CAPACITY 24V SERIES

Power Supplies	PP24200	PP24150	PP24100	PP2460
	24VDC - 200W	24VDC - 150W	24VDC - 100W	24VDC - 60W
All LucoFLEX D colours (7.7W/m)	23m	17m	12m	7m



LUCOFLEX RGB-TOP BEND

- *Extremely flexible, UV stable, impact resistant and flame retardant silicon extrusion*
- *Protection class IP67*
- *4 year warranty*
- *Full color range with RGB controller*
- *Adjustable in length, cuttable every 50mm*
- *Interfaces with all automation and control systems*

LucoFLEX RGB offers a high quality colour changeable, flexible, solution for contour lighting, cove lighting and any other application requiring a colour matched product.

LucoFLEX RGB-TB is a top bending flexible RGB product. LucoFLEX RGB is designed for outdoor use, using solder connections and sealed silicon endcaps. It offers a spotless, bright effect. Even visible in daylight circumstances. Lucoflex RGB-TB can be used for outdoor, colour changing, building contours or accents.

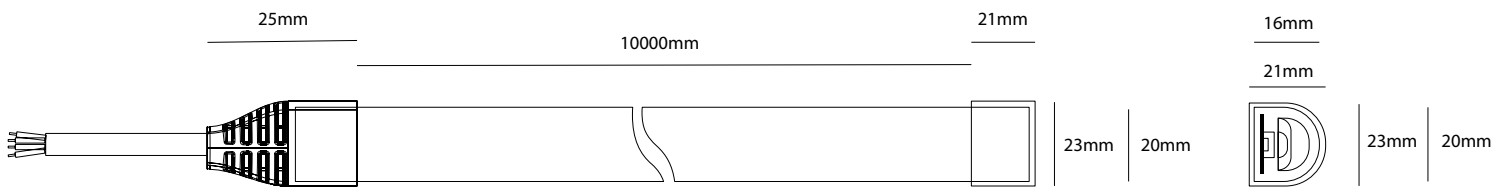
LucoFLEX RGB can be controlled by all available control systems in the market, offering maximum flexibility for your projects.

SPECIFICATIONS

- Dimensions:
20mm (W) x 16mm (H)
Lengths of 10m
Cuttable every 50mm
- UV stable, impact resistant and flame retardant silicon extrusion
- 4 year warranty
- In-field flat bend of 100mm
- UL, CE and RoHS compliant
- Constant Current Technology
- Power per meter: 17.3W/m (RGB all on)
- Protection class IP67
- Operating temperature -25°C ~ +60°C



DIMENSIONS



LUCOFLEX RGB TOP-BEND TUBES & ACCESSORIES

Item no	Description
F-RGB-TB	RGB Top Bend - 10m adjustable
F-RGB-TB-PCIS	RGB Top Bend power supply connection set
F-RGB-TB-EC	RGB Top Bend end caps
F-RGB-TB-CLIPS	RGB Top Bend Plastic mounting clips

POWER SUPPLY CAPACITY 24V SERIES

Power Supplies	PP24200	PP24150	PP24100
	24VDC - 200W	24VDC - 150W	24VDC - 100W
Lucoflex RGB (17.3W/m if RGB all full on)	10m	8m	5m



LUCOFLEX RGB-SIDE BEND

- *Extremely flexible, UV stable, impact resistant and flame retardant silicon extrusion*
- *Protection class IP67*
- *4 year warranty*
- *Full color range with RGB controller*
- *Adjustable in length, cuttable every 50mm*
- *Interfaces with all automation and control systems*

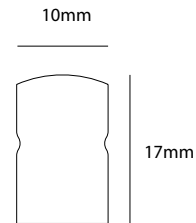
LucoFLEX RGB offers a high quality colour changeable, flexible, solution for contour lighting, cove lighting and any other application requiring a colour matched product.

LucoFLEX RGB-TB is a side bending flexible RGB product. LucoFLEX RGB is designed for outdoor use, using solder connections and sealed silicon endcaps. It offers a spotless, bright effect. Even visible in daylight circumstances. Lucoflex RGB-SB can be used for outdoor, colour changing, neon-like signage or accents.

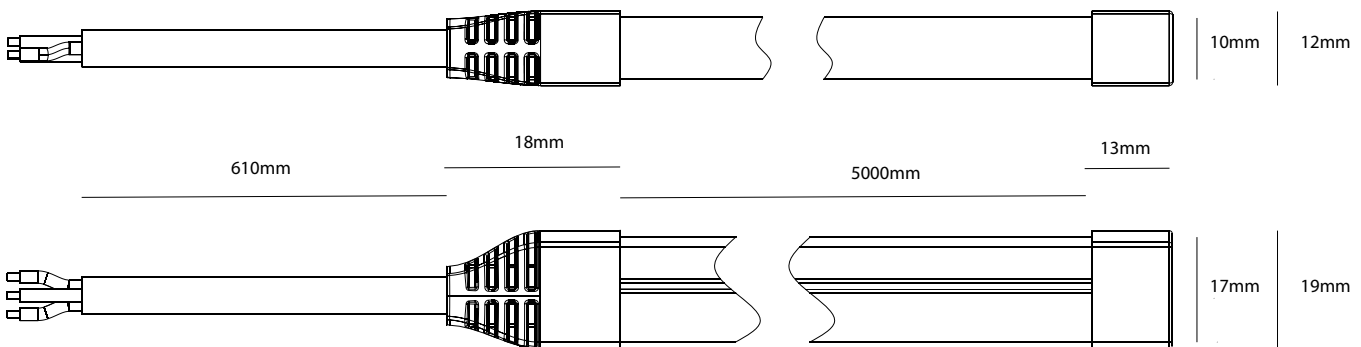
LucoFLEX RGB can be controlled by all available control systems in the market, offering maximum flexibility for your projects.

SPECIFICATIONS

- Dimensions:
10mm (W) x 17mm (H)
Lengths of 5m
Cutttable every 50mm
- UV stable, impact resistant and flame retardant silicon extrusion
- 4 year warranty
- In-field side bend of 15mm
- UL, CE and RoHS compliant
- Constant Current Technology
- Power per meter: 17.3W/m (RGB all on)
- Protection class IP67
- Operating temperature -25°C ~ +70°C



DIMENSIONS



LUCOFLEX RGB SIDE-BEND TUBES & ACCESSORIES

Item no	Description
F-RGB-SB	RGB Side Bend - 5m adjustable
F-RGB-SB-PCIS	RGB Side Bend power supply connection set
F-RGB-SB-EC	RGB Side Bend end caps
F-RGB-SB-CLIPS	RGB Side Bend Plastic mounting clips
F-RGB-SB-ACS	RGB Side Bend Aluminium mounting clips
F-RGB-SB-ACL	RGB Side Bend 1m mounting profile

POWER SUPPLY CAPACITY 24V SERIES

Power Supplies	PP24200	PP24150	PP24100
	24VDC - 200W	24VDC - 150W	24VDC - 100W
Lucoflex RGB (17.3W/m if RGB all full on)	10m	8m	5m



LUCOFLEX SLIM

- *Extremely flexible, UV stable, impact resistant and flame retardant silicon extrusion*
- *Protection class IP67*
- *5 year warranty*
- *Wide colour pallet, daytime colours when non-illuminated*
- *Bright, dot-free and homogeneous light*
- *Adjustable in length, cuttable every 55mm*
- *Interfaces with all automation and control systems*

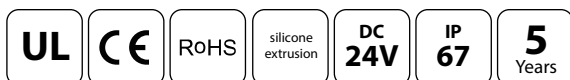
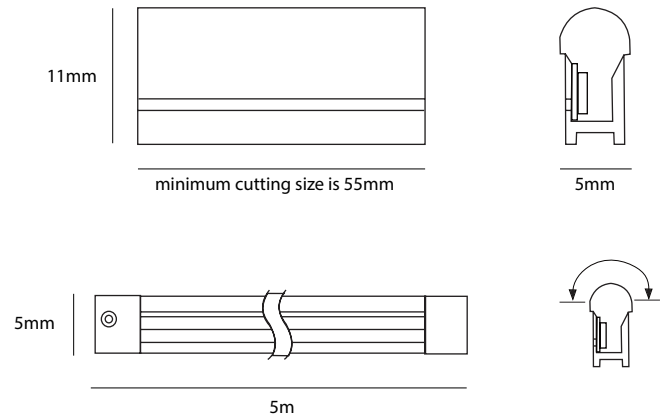
LucoFLEX SLIM is the most flexible neon-replacement product currently available. It can be bent in a very small radius, allowing full artistic freedom as with traditional neon.

The product is made with the latest in-mold silicon extrusion technology, UV resistant, weatherproof, non-yellowing.

LucoFLEX slim is a true low-power LED replacement for small neon signs and art pieces, available in 6 bright, even, colours.

SPECIFICATIONS

- Dimensions:
5mm (W) x 11mm (H)
Lengths of 5m (cuttable every 55mm)
Cuttable every 55mm
- UV stable, impact resistant and flame retardant silicon extrusion
- 5 year warranty
- UL, CE and RoHS compliant
- Constant Current Technology
- Power per meter: 10,8W/m
- Protection class IP67
- 600-650lm/m
- Operating temperature -25°C ~ +60°C
- in-field flat bend of 10mm (radius)



LUCOFLEX TUBES

Item no	Description		Daytime colour	Nom. W/m
FS-3000-W	Warm white - 5m adjustable		3000K	10,8W/m
FS-6000-W	Cool white - 5m adjustable		6000K	10,8W/m
FS-00585-Y	Yellow - 5m adjustable		585-590nm	10,8W/m
FS-00620-R	Red - 5m adjustable		620-625nm	10,8W/m
FS-00520-G	Green - 5m adjustable		520-525nm	10,8W/m
FS-00465-B	Blue - 5m adjustable		465-470nm	10,8W/m

ACCESSORIES

Item no	Description
FS-18001	Silicon wire 200mm
FS-18002	Silicon endcap
FS-18003	RVS mounting clip
FS-18004	Mounting profile (1m)
F-18011	Silicon glue (45ml)

POWER SUPPLY CAPACITY 24V SERIES

Power Supplies	PP24200	PP24150	PP24100	PP2460	PP2430
	24VDC - 200W	24VDC - 150W	24VDC - 100W	24VDC - 60W	24VDC - 30W
All LucoFLEX Slim tubes (10,8W/m)	17m	12,5m	8m	5m	2,5m



LUCOLED POWER SOURCES

- *Up to 7 years warranty*
- *Wide Voltage Input*
- *OVP, OCP, SCP, OTP protection function*
- *IP67 / IP68 Rating*

Lucoled offers a full range of Premium Power Sources. The various power options help you to match the installed power capacity to the total power used by your LED installation.

Lucoled Premium Power Sources are designed and tested for safety, long life and reliability.

All power supplies are designed for outdoor use and carry all required international agency markings.

SPECIFICATIONS 12V POWER SUPPLIES

Output Voltage	12V
Working temperature range	-40°C~+65°C
Input Voltage Range	100VAC~240VAC
Input Frequency Range	50~60Hz
Protective Characteristics	Over-Current, Short-Circuit, Over Voltage and Over-Temperature protection
IP Rating	IP68
MTBF	≥70000hrs. MIL-HDBK-217F(25°C)
Warranty	7 Years, first 2 years extended.

Code	Output Current	Output Power	Input Current	Efficiency	Size (l x w x h)	Weight
PP1230	2.5A	30W	0.35A/115V - 0.19A/230V	≥83%	187x41x29mm	0,5kg
PP1260	5A	60W	0.65A/115V - 0.35A/230V	≥86%	184x44x34mm	0,52kg
PP12100	8.33A	100W	1.1A/115V - 0.55A/230V	≥90%	204x67x35mm	0,88kg
PP12150	12.5A	150W	1.6A/115V - 0.8A/230V	≥92%	234x68x35mm	1kg
PP12200	16A	200W	2.8A max	≥88%	295x60x36mm	1,1kg

SPECIFICATIONS 24V POWER SUPPLIES

Output Voltage	24V
Working temperature range	-40°C~+65°C
Input Voltage Range	100VAC~240VAC
Input Frequency Range	50~60Hz
Protective Characteristics	Over-Current, Short-Circuit, Over Voltage and Over-Temperature protection
IP Rating	IP68
MTBF	≥70000hrs. MIL-HDBK-217F(25°C)
Warranty	7 Years, first 2 years extended.

Code	Output Current	Output Power	Input Current	Efficiency	Size (l x w x h)	Weight
PP2430	1.25A	30W	0.35A/115V - 0.19A/230V	≥84%	187x41x29mm	0,5kg
PP2460	2.5A	60W	0.65A/115V - 0.35A/230V	≥87%	184x44x34mm	0,52kg
PP24100	4.16A	100W	1.1A/115V - 0.55A/230V	≥92%	204x67x35mm	0,88kg
PP24150	6.25A	150W	1.6A/115V - 0.8A/230V	≥93%	234x68x35mm	1kg
PP24200	8.34A	200W	2.8A max	≥90%	295x60x36mm	1,1kg



IP68

Important:

- Lucoled recommends loading power supplies up to 90% of their maximum listed capacity.
- Select a power supply for your installation loaded at more than 50% of its maximum load to meet Power Factor regulations.
- Install with adequate ventilation and not in direct sunlight.
- Power supplies to be installed by trained and certified staff.

SPECIFICATIONS 12V SLIM POWER SUPPLIES

Output Voltage	12V
Working temperature range	-25°C~+45°C
Input Voltage Range	200VAC~240VAC
Input Frquency Range	50~60Hz
Protective Characteristics	Over-Current, Short-Circuit, Over Voltage protection
IP Rating	IP67
MTBF	≥50000hrs. MIL-HDBK-217F(25°C)
Warranty	5 Years

Code	Output Current	Output Power	Input Current	Efficiency	Size (l x w x h)	Weight
PPS1230	2.5A	30W	0.22A/200-240VAC	≥85%	239x35x20mm	0,32kg
PPS1260	5A	60W	0.38A/200-240VAC	≥87%	295x35x20mm	0,42kg
PPS12100	8.3A	100W	0.7A/200-240VAC	≥90%	309x35x20mm	0,44kg

SPECIFICATIONS 24V SLIM POWER SUPPLIES

Output Voltage	24V
Working temperature range	-25°C~+45°C
Input Voltage Range	200VAC~240VAC
Input Frquency Range	50~60Hz
Protective Characteristics	Over-Current, Short-Circuit, Over Voltage protection
IP Rating	IP67
MTBF	≥50000hrs. MIL-HDBK-217F(25°C)
Warranty	5 Years

Code	Output Current	Output Power	Input Current	Efficiency	Size (l x w x h)	Weight
PPS24100	4.16A	100W	0.7A/200-240VAC	≥90%	309x35x20mm	0,44kg



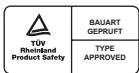
Important:

- Lucoled recommends loading power supplies up to 90% of their maximum listed capacity.
- Select a power supply for your installation loaded at more than 50% of its maximum load to meet Power Factor regulations.
- Install with adequate ventilation and not in direct sunlight.
- Power supplies to be installed by trained and certified staff.

SPECIFICATIONS LUCOLINE 46V POWER SUPPLIES

Output Voltage	46V
Working temperature range	-40°C~+65°C
Input Voltage Range	100VAC~240VAC
Input Frquency Range	50~60Hz
Protective Characteristics	Over-Current, Short-Circuit, Over Voltage and Over-Temperature protection
IP Rating	IP67
Warranty	5 Years extended

Code	Output Power	Input Voltage	Output connectors	CSC Channels	Size (l x w x h)	Weight
L-17081	20W	100-240VAC	2	2	151x40x32mm	0,4kg
L-17020	40W	100-240VAC	2	1	244x68x39mm	0,85kg
L-17019	96W	100-240VAC	2	1	293x68x39mm	1,12kg
L-17018	240W	100-240VAC	2	1	318x68x39mm	1,5kg



IP67



SELV



Important:

- Lucoled recommends loading power supplies up to 90% of their maximum listed capacity.
- Select a power supply for your installation loaded at more than 50% of its maximum load to meet Power Factor regulations.
- Install with adequate ventilation and not in direct sunlight.
- Power supplies to be installed by trained and certified staff.



LUCOLED

Experience Lighting

LUCOLED NV

Industriepark 32b
3290 Diest
Belgium

www.lucoled.com

P: +32 (0)13 292829
E: info@lucoled.com

LUCOLED NV

Rotterdamseweg 388F
2629 HG Delft
The Netherlands

YOUR DEALER: